

出色源于专业 品质创造未来

Profession makes perfection

Performance brings future

广州华远制药设备有限公司

Guangzhou Huayuan Pharmaceutical Equipment Co., Ltd

地址：广东广州市番禺区大石街道石南1路潮联创业中心225
No.225 ChaoLian Venture Center, Shinan 1 road, Dashi street,
Panyu District, Guangzhou City, Guangdong Province

电话 Telephone : 13318858567

传真 FAX:020-85637702

QQorWeChat:790844528

E-mail:790844528@qq.com



Just for you ...

企业宗旨 Principle

“规范管理、平安华远”的安全生产建设方针;

“tandardized management, safe Huayuan”

safety production construction policy;

“以质量求生存，以科技为动力”是华远人的追求目标;

Huayuan people's goal is to

"survive with quality and drive by science and technology";

“真诚接受反馈意见、主动及时热情服务”的服务宗旨;

The service tenet of

"receiving feedback in good faith and serving warmly and actively in time";

悉企业的全新价值，一直为区域经济的发展和人们的身体健康而努力！

Understand the new value of enterprises,

has been for the development of regional economy

and people's health and strive!

About Us

Guangzhou Huayuan Pharmaceutical Equipment Co., Ltd. is an innovative technology enterprise specializing in pharmaceutical equipment, biological fermentation equipment, plant extraction equipment, vacuum low-temperature drying equipment.

The company's existing mature products: multi-functional extraction tank, extraction and concentration equipment, evaporation and concentration equipment, alcohol recovery equipment, filtering equipment, crystallization equipment, container equipment, pump valve fluid pipe fittings and other products.

关于我们

广州华远制药设备有限公司是一家专业从事制药设备、生物发酵设备、植物提取设备、真空低温干燥设备、于一体的创新技术企业。

本公司现有成熟产品：多功能提取罐，提取浓缩设备、蒸发浓缩设备、酒精回收设备、过滤设备、结晶设备、容器类设备、泵阀流体管件等产品。

本公司拥有一批国内优秀的产品设计和生产制造的工程技术人员。主要生产卫生级提取、浓缩、回收等设备，不锈钢罐槽系列及管道配件阀门，全自动CIP清洗系列、PLC控制系统等设备。产品严格按照ISO9001-2000国际质量标准进行设计制造，符合GMP医药标准。

GuangDong Guangzhou Huayuan Pharmaceutical Co. LTD. a special manufacturer integrating design, development, manufacture, engineering construction and after-sale service, devotes itself to manufacture and sale the complete equipment for pharmacy

团结、进取、高效的高素质人才是我们不断提供高新产品的坚实基础。华远公司的中药提取、浓缩、酒精回收等工艺先进、设备高效节能、实用美观，使用户的生产效率大为提高；大输液、水针剂成套设备造型美观、结构独特；注射剂、配料系统、中药提取浓缩系统、CIP系统自动化控制的成功实现，为用户的生产和控制实现了智能化管理。

华远公司奉行着“WIN-WIN(双赢)”的营销理念，不仅与国内外众多知名厂家长期合作，产品也已远销欧洲、澳洲、东南亚等地并深受用户好评。

The company owns a team of excellent specialists in design and manufacture. It mainly produces health-grade equipment for extraction, concentration and reclamation and stainless steel tank and pipe accessories and valve, series full automatic CIP cleaning machine and PLC system. The product is designed and made strictly in accordance with the ISO90012000, meeting with the GMP standard.

The union, enterprise and high talent is the base of our success. Our advanced craft in extraction and concentration of China traditional drug and reclamation of alcohol and high efficient and energy-saving equipment and the high practice and attractive

appearance can improve the production efficiency greatly; The complete equipment for large transfusion and water injection features pleasant appearance and special structure;The injection and material allocation system and extraction & concentration system for China traditional drug and the CIP system can realize the automatic management for production and control.

The HuaYuan company holds the marketing purpose of WIN-WIN and keeps long-term cooperation with the famous manufacturer home and abroad. The product is exported to Europ,Australia and Southeast Asia and enjoys high appreciation from the client.

因为 华远 始终坚持“真诚接受反馈意见、主动及时热情服务”的服务宗旨 实现“华远-客户”双赢。
Because Huayuan always adhere to the "sincere acceptance of feedback, proactive and timely warm service" service purpose, to achieve the "Huayuan - customer" win-win



我们时时刻刻追求产品设计的完美性。
We always pursuit of the perfect product design.



符合FDA标准/满足GMP要求
ISO9001认证/一类、二类压力容器制造

Accord with FDA standard, meeting with the GMP requirement, ISO9001 certification, first-class and second-class pressure vessel manufacture.

Perfect quality originates from advanced manufacturing methods

High-technology and advanced skills for guarantee the excellent quality and performance.

完美的品质， 取源于先进的制造手段

公司引进国外先进的技术与制造工艺，确保产品卓越品质。



工厂配有先进的TIG焊接机，各种焊接机，大型桶体、封头抛光机组、旋压机、折弯机、数控机床等。我们的设备适用于医药化工、乳食品等各类行业，并可提供非标产品，满足客户需求。

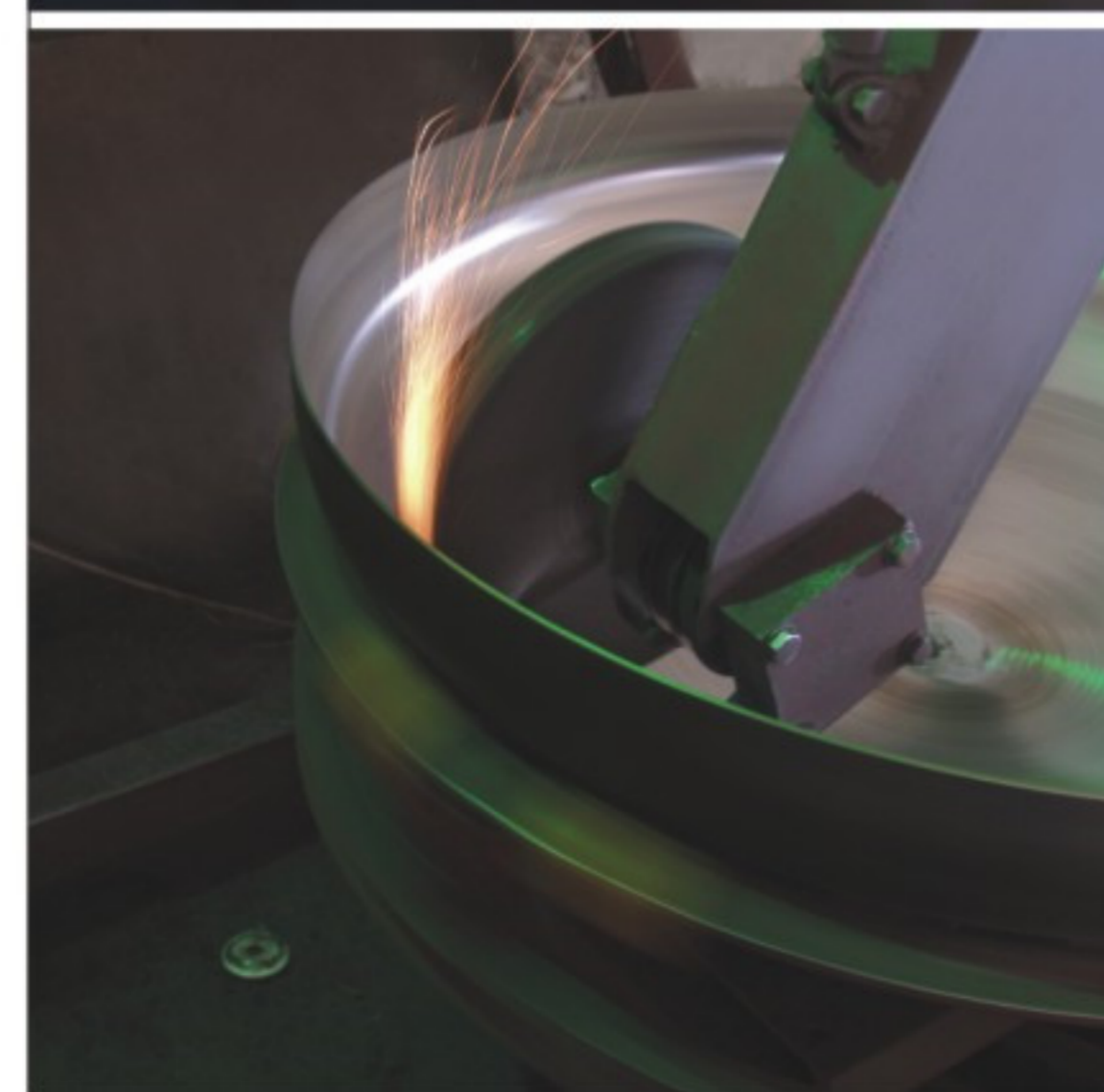
Our factory has equipped advanced TIG welding machine, various manual and automatic welding machine, large-scale closure head polishing set, spinning machine and bending machine, CNC etc. we also offers non-standard equipment in special design that can match your highly demand.

华远的成功在于不仅仅注重表面的完美，更加追求细节的精致。每一个配件，每一道工序，每一台设备，我们都严格把关，精密检测，让我们的产品成为您的骄傲。

The success of HuaYuan is not only the perfect of the surface, but also the fineness of details. We strictly examine every fitting, every craft, and every machine, and turn them into the representative of the finest once it is taken out of our factory.

先进的自动化生产设备，精良的流水线制作，尽显一流品质。锐意进取，创造完美是我们不变的执着精神。

Advanced automatic production equipments, steam line production, matched first-class quality. Chasing the perfection is our spirit.



“不懈的质量追求，一切为了客户”是华远一贯坚持的质量方针，作为一家知名机械生产企业，我们相信，只有不断在品质上追求完美，才是企业发展的后续力所在，公司拥有现代化生产与检测设备并严格按照ISO9001质量管理体系生产运作。“崇尚品质，追求完美”是华远的经营准则。我们华远人将以一流的产品、完美的服务与新老客户共享！

"Unstoppable pursuit of high quality for the customers" that are HuaYuan's main line, as a well-known machinery manufacturers, we believe that only chasing perfect quality is the constant development of the enterprise. The company has modern production and testing equipments and strictly following the ISO9001 Quality Management System Requirement. "Excellent performance and perfect quality is the operating guidelines of HuaYuan. We will produce first-class products, make perfect service for customers!"



工程实例

Project Examples





Pharmaceutical Equipment

We have developed pharmaceutical machinery and equipment that can not only meet your requirement of safe, efficient, and sanitary, But also ensure the detailed processing of the product.

制药设备

我们开发的制药机械设备不仅能满足您对卫生、安全、高效的要求，而且还可细致处理您的产品。

TQ 系列多功能提取罐	10
TQ series multi-functional Extractor	
DTQ 系列多功能提取罐(动态带搅拌)	12
DTQ series multifunctional extractor (dynamic agitator)	
微型多能提取、浓缩、回收机组	13
Mini multifunctional extraction, concentration, reclamation set	
热回流抽提浓缩器	14
Thermal circumfluence extractor & concentrator set	
WZ 型系列单效外循环浓缩器	16
WZ Single-effect extractor (SEE)	
SJN 系列双效节能浓缩器	17
SJN Double-effect extractor (DEE)	
SJN 系列三效节能浓缩器	18
SJN Triple-effect extractor (TEE)	
JN 型系列多功能酒精回收浓缩器	19
JN Multi-functional alcohol reclamation concentrator	
ZN 系列真空减压浓缩罐	20
ZN Vacuum pressure reduction concentrator	
QN 系列球形真空浓缩罐	21
QN Roundness vacuum concentrator	
LJN 三效降膜连续进料浓缩器	22
LJN Three effect falling-film continuous feeding concentrator	
JH 系列酒精回收塔	24
JH Alcohol Recovery Tower	
JC 系列酒精沉淀罐	25
JC Alcohol Deposition Tank	
SLG 型渗漉罐	26
SLG Seeping Tank	
PYG 系列不锈钢配液罐 (反应釜)	27
PYG series processing Tank (Reactor)	
FJ 系列保温冷却发酵罐 (种子罐、结晶罐)	28
FJ insulation and Cooling Fermentation Tank (Seed tank, crystallizing tank)	
贮罐系列	29
Storage Tank	
CIP清洗系列	30
Clean in place system	
微孔膜筒式过滤器(板框过滤器)	31
Microporous membrane barrel filter(Plate-frame type filter)	
卫生级离心泵	32
Food grade Centrifugal pump	
卫生级转子泵	33
Food grade lobe rotor pump	
单机系列	34
Bar disinfect the complete sets	
卫生级不锈钢罐上系统配置	35
Sanitary stainless tank system configuration	
卫生级管道配件	36
Sanitary pipe accessories	

中药提取、浓缩系统成套设备；大输液、水针剂系统成套设备；甜菊糖成套设备；生物发酵系统成套设备；

原料、合成药系统设备；兽药系统设备；精细化工、乳化系统设备；

Herb extraction concentration complete sets system; infusion, water injection system of complete sets equipment; biological fermentation complete sets equipment, suger processing system, raw materials, equipment Synthetic Medicine; Pet medicine products equipment; emulsifying system equipment;

TQ 系列多功能提取罐

TQ series multi-functional Extractor

本设备适用于中药、食品、化工行业的常压、微压、水煎、温浸、热回流、强制循环渗透作用，芳香油提取及有机溶媒回收等多种工艺操作，具有效率高、操作方便等优点。罐内配备CIP清洗系统，符合GMP医药标准。

- ◆Application: This device is applied in industries such as herb, food and chemistry etc. Such as normal pressure, low pressure, water decocting, immersion, thermal circumfluence, compelled recycle and lixiviation, extraction of aroma oil etc.
- ◆Characteristics: High efficiency and convenient operation
- ◆Configure: CIP cleaning system
- ◆Standard: Matched with GMP

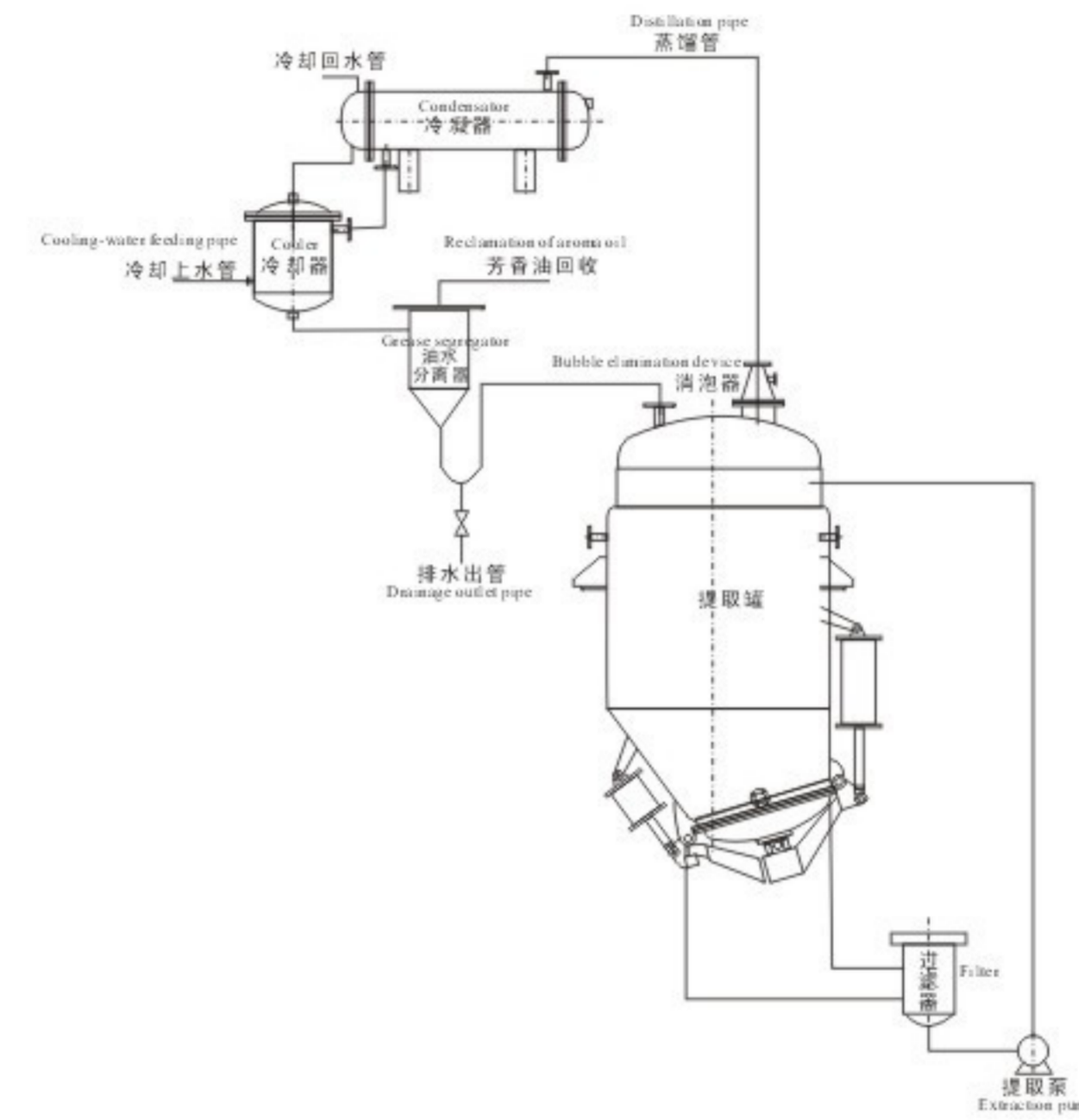
公司已推出最新安全型出渣门装置，采用单气缸开启，双气缸锁紧，另设一保险锁气缸。整套装置开启方便，自锁性能高，程序控制，从根本上解决了传统结构由于气源压力不稳定引起的渗漏或脱钩事故，百分百保证用户安全。

- ◆Security design: The latest residue outlet with high security, it open with pneumatic cylinder and lock with dual-gas cylinder accompanied with a secure lock cylinder. The complete device is easy to open and operate, and it has a reliable self-lock performance.
- ◆This control eliminates the leakage or detachment caused from the unstable gas pressure different with the others

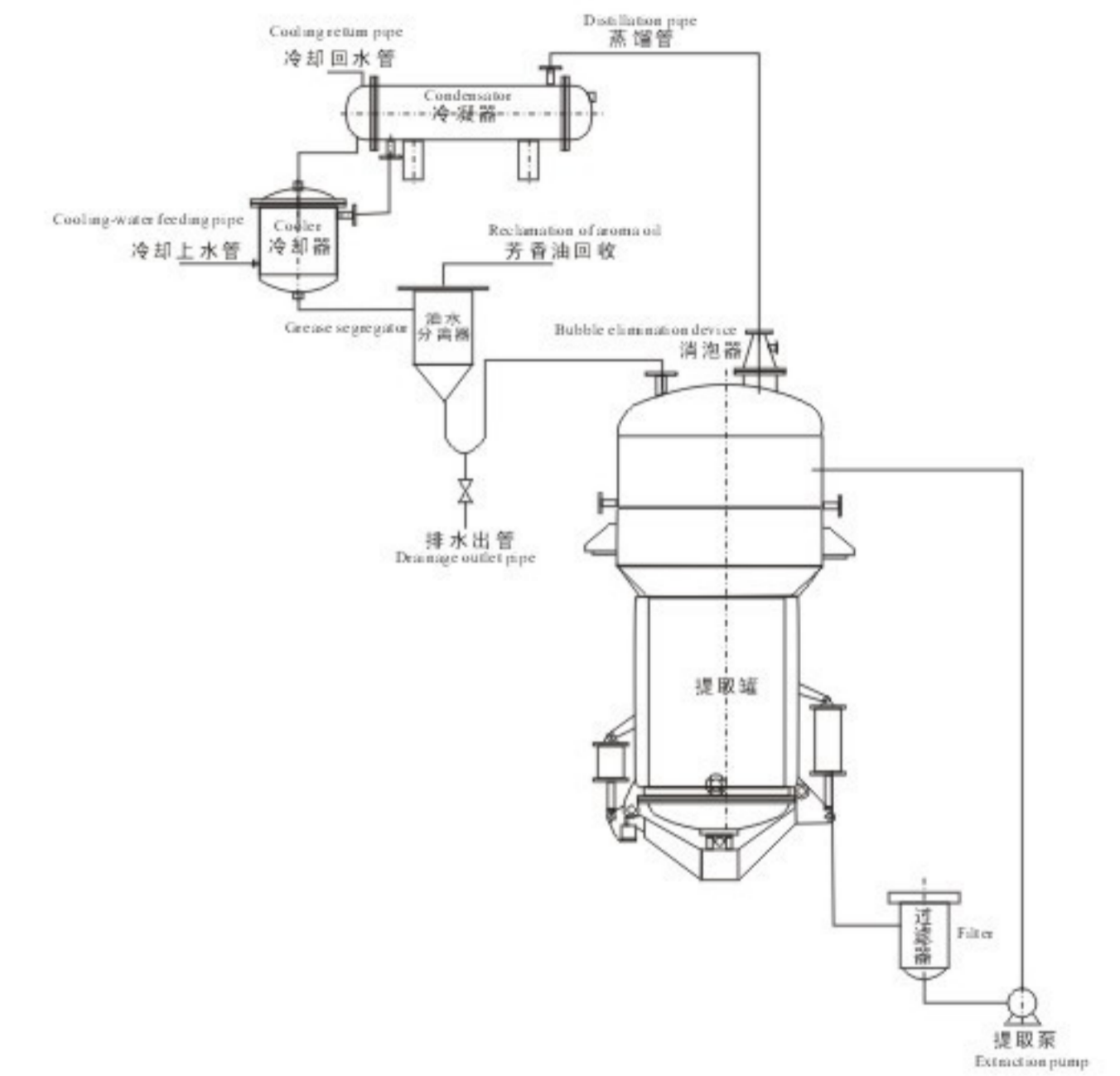


技术参数 Technology parameter

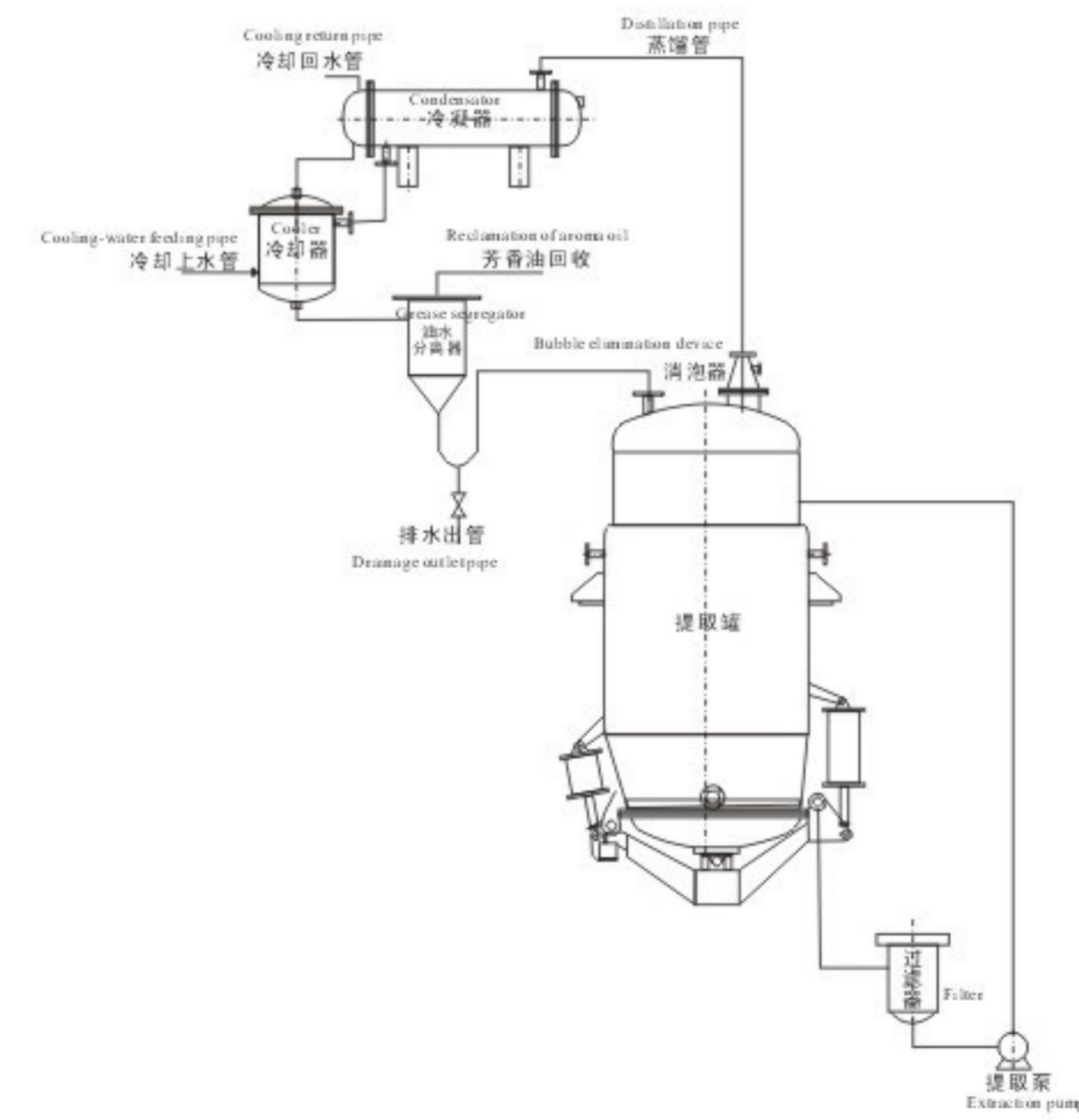
规格	型号	TQ-0.5	TQ-1.0	TQ-2.0	TQ-3.0	TQ-6.0	TQ-8.0
全容积(L)		650	1200	2500	3500	6500	8900
罐内设计压力(MPa)		0.09					
夹套内设计压力(MPa)		0.3					
投料门直径(mm)		300	300	400	400	450	500
加热面积(m ²)		2.4	3.1	4.2	5.5	7.1	9.5
冷凝面积(m ²)		3	5	5	8	10	12
冷却面积(m ²)		1	1	1	1	1.5	1.5
过滤面积(m ²)		0.25	0.25	0.25	0.25	0.5	0.6
出渣口直径(mm)		800	800	800	800	1000	1200
耗能(Kg/h)		245	325	345	645	720	850
容器类别		一类					



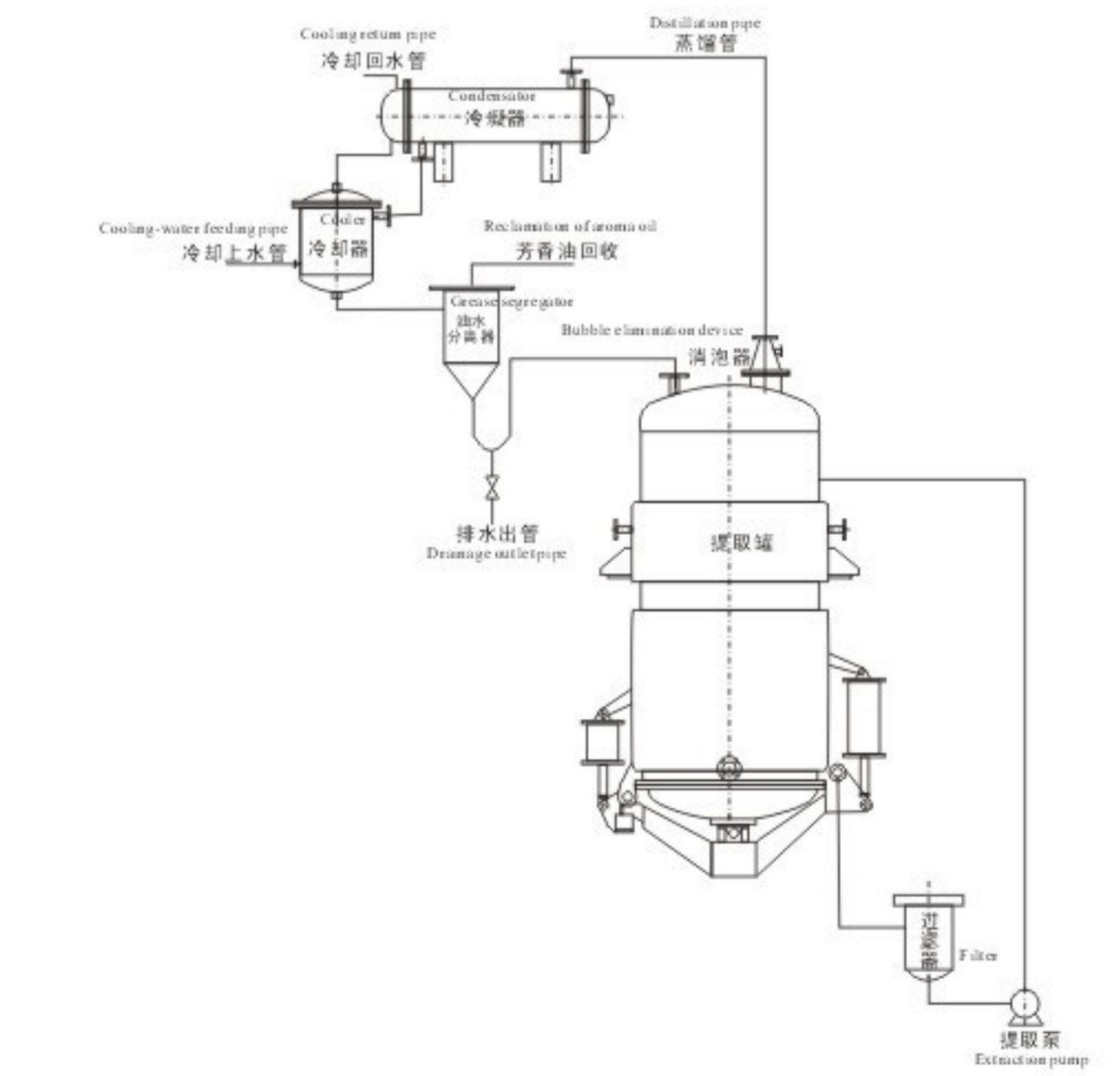
TQ-X



TQ-M



TQ-Z



TQ-T

DTQ 系列多功能提取罐(动态带搅拌)

DTQ series multifunctional extractor (dynamic agitator)

本设备可用于中药、食品、化工行业的常压、微压、水煎、温浸、热回流、强制循环，渗漉，芳香油提取及有机溶媒回收等多种工艺操作，使用本设备能使提取效果更佳，时短，药液含量高。本设备搅拌系统分螺旋式搅拌和桨式搅拌，同时本设备选材优良，广泛应用于制药、食品、化工等行业，罐内配备CIP清洗系统，符合GMP医药标准。



TQ-D 直锥型(带搅拌)
TQ-D Vertical Prick Type(with milling)

- ◆Application: This device is applied in industries such as herb, food and chemistry etc Such as normal pressure, low pressure, water decocting, immersion, thermal circumfluence, compelled recycle and lixiviation, extraction of aroma oil etc
- ◆Spiral agitator and propel agitator
- ◆Characteristics: High efficiency and convenient operation
- ◆Configure: CIP cleaning system
- ◆Standard: Matched with GMP

技术参数 Technology parameter

规格	型号	DTQ-1.0	DTQ-2.0	DTQ-3.0	DTQ-6.0
全容积(L)		1200	2500	3600	6500
罐内设计压力(MPa)		0.09			
夹套内设计压力(MPa)		0.3			
加热面积(m ²)		3.1	4.2	6.8	10.5
冷凝面积(m ²)		5	5	8	10
冷却面积(m ²)		1	1	1	1.5
过滤面积(m ²)		0.25	0.25	0.25	0.5
搅拌功率(KW)		3	4	5.5	7.5
搅拌转速(r/min)		60			
出渣口直径(mm)		800	800	800	1000
容器类别		一类			

微型多能提取、浓缩、回收机组

Mini multifunctional extraction, concentration, reclamation set

本机组是本公司在借鉴国内外同类产品基础上研究开发的新一代节能产品。它集多功能提取、真空浓缩为一体，简化了操作程序。同时，由于整个提取和浓缩是在密封状态下进行，因而避免了“跑”、“冒”、“漏”等现象，大大改善了工作环境，降低了能耗。本机组与物料接触部分全部采用优质不锈钢SUS304(或SUS316L)制造，符合GMP要求。本机组适用于医院、药厂、食品行业、科研院所对中草药、果汁等物料的提取和浓缩，以及有机溶媒的回收。



- ◆Energy-saving set
- ◆Integrated with 3 functions that simplified the operation procedure.
- ◆under the close and seal condition, no leakage
- ◆SUS316L(or SUS304), meeting with the GMP standard.
- ◆best applied in hospital, university laboratory, pharmaceutical factory and R&D institute and food manufacture to extract and concentrate the herb and juice etc

技术参数 Technology parameter

型号	提取罐			浓缩罐			真空泵	
	公称容积(L)	夹套工作压力(Mpa)	罐内工作压力(Mpa)	加热面积(m ²)	工作压力(Mpa)	真空度(MPa)	电压(V)	功率(KW)
TN-50	50	0.2	0.09	0.5	常压	-0.08	380	4
TN-100	100	0.2	0.09	1	常压	-0.08	380	4
TN-200	200	0.2	0.09	1.5	常压	-0.08	380	4
TN-300	300	0.2	0.09	2	常压	-0.08	380	4
TN-400	400	0.2	0.09	2.5	常压	-0.08	380	5.5
TN-500	500	0.2	0.09	3	常压	-0.08	380	5.5

热回流抽提浓缩器

Thermal circumfluence extractor & concentrator set



技术参数

Technology parameter

提取罐容积: 1m³、2m³、3m³、6m³
 浓缩器容积: 0.5m³、1m³、1.5m³、2.5m³
 水提温度: 90~100℃
 醇提温度: 78~83℃
 提取时间: 4~5小时/批
 真空度: 0.05~0.08MPa
 使用压力: 0.08~0.2MPa

- ◆ Extractor tank Volume: 1m³、2m³、3m³、6m³
- ◆ Concentrator tank Volume: 0.5m³、1m³、1.5m³、2.5m³
- ◆ water distillation Temp: 90~100℃
- ◆ alcohol distillation Temp: 78~83℃
- ◆ Distillation time: 4~5H/B
- ◆ Vacuum: 0.05~0.08MPa
- ◆ Working pressure 0.08~0.2MPa

本设备适用于植物草药、中药材、动物药、食品添加剂等。采用水、乙醇、甲醇、丙酮等提取和有机溶剂的回收与浓缩。

The device applied in herbal medicine, China traditional drug, pet drug, food additive etc, to extract with water, ethanol, carbinol and acet.

设备特点

- ◆ 收膏率比多能罐提高10~15%，药膏内含有有效成分高1倍以上。由于在提取过程中，热的溶剂连续加到药面上，由上至下高速通过药材层，溶解药材中的溶质，药材中的溶含量与溶剂中溶质含量保持了高梯度，药材中的溶质高速溶出，直至完全溶出，则有效成分提取率高，浓缩又在一套密封设备中完成，损失很小、转化率高，故收膏率高、药膏里有效成份含量高。
- ◆ 由于溶质高速溶出，提取时间短，浓缩与提取同步进行，故药材到浓缩药膏只需7~8小时，设备利用率高。
- ◆ 设备单一、占地小、设备利用率高，故投资省。
- ◆ 提取只加1次溶剂，在一套密封设备内循环使用，药渣里的溶剂基本上能回收出来，故溶剂用量比多能提取罐少30%以上，消耗率可降低50~70%，这为用有机溶剂提取、提纯中药中有效成分铺平了道路。
- ◆ 由于浓缩的二次蒸汽作提取的热源，抽入浓缩器的提取液与浓缩同温度，可节约50%以上的蒸汽，操作很简便，减少了操作人员。

Equipment Characteristics

◆ The rate for cream collection is 10~15% higher than that of the multifunctional tank, and the effective content inside the cream is one time higher than the normal one. Because the heat solvent is added into the drug surface continuously and then they pass the drug layer from up to down with high speed to solve the solute in the drug material during the extraction, so the solute in the drug material and the solute in the solvent keep high grads. If the solute in the drug material can separate out with high speed until it separates out, then the extraction extent of the effective content is high. Because the concentration is finished inside the seal device with little loss and high transformation rate, so the rate for cream collection is high and the effective content inside the drug cream is high.

◆ For the factors of high speed of separation out of solute, short time of extraction synchronous operation of concentration and extraction, the time from changing the drug material into the concentrated drug cream is only seven to eight hours, which highlights high equipment utility.

◆ The equipment is simple and has little use area and features high equipment utility, which highlights economic investment.

◆ The extraction just needs one time of use of solvent, which is used cyclically in a set of seal equipment. The solvent in the drug residue can be reclaimed basically, which makes the solvent quantity is 30% less than that of the multiple function extraction tank and the solvent consumption is 50~70% less than that of the multiple function extraction tank. The above advantages make it available the extraction of organic solvent and purification of effective content in the China traditional drug.

◆ For the concentrated secondary vapor serving as heat source, the extraction liquid into the concentrator is at the same temperature level with that of the concentrator, which can save the vapor for more than 50% and feature easy operation and reduces the operator.

工作原理

将药材投入提取罐内，加药材的5~10倍的溶媒如水、乙醇、甲醇、丙酮等(据工艺要求)。开启提取罐直通和夹套蒸汽阀门，使提取液加热至沸腾20~30分钟后，用抽滤管将1/3提取液抽入浓缩器。关闭提取罐直通和夹套蒸汽、开启加热器阀门使液料进行浓缩。浓缩时产生二次蒸汽，通过蒸发器上升管送入提取罐作提取的热源和溶液，维持提取罐内沸腾。

二次蒸汽继续上升，经冷凝器冷凝成热凝液，回落到提取罐内作新溶剂加到药面上，新溶剂由上而下高速通过药材层到提取罐

底部，药材中的可溶性有效成份溶解于提取罐内溶剂。提取液经抽滤管抽入浓缩器、浓缩产生的二次蒸汽又送到提取罐作热源和新溶剂，这样形成的新溶剂大回流提取，故药材中溶质密度与溶剂中含溶质密度保持高梯度，药材中的溶质高速溶出，直至完全溶出(提取液无色)，此时，提取液停止抽入浓缩器，浓缩的二次蒸汽转送冷却器，浓缩继续进行，直至浓缩成需要比重(1.2~1.34)的药膏，放出被用。提取罐内的无色液体，可放入贮罐作下批复用，药渣从出渣门排掉，若是用有机溶剂提取，则先加适量的水，开直通和夹套蒸汽，回收溶剂后，将渣排掉。

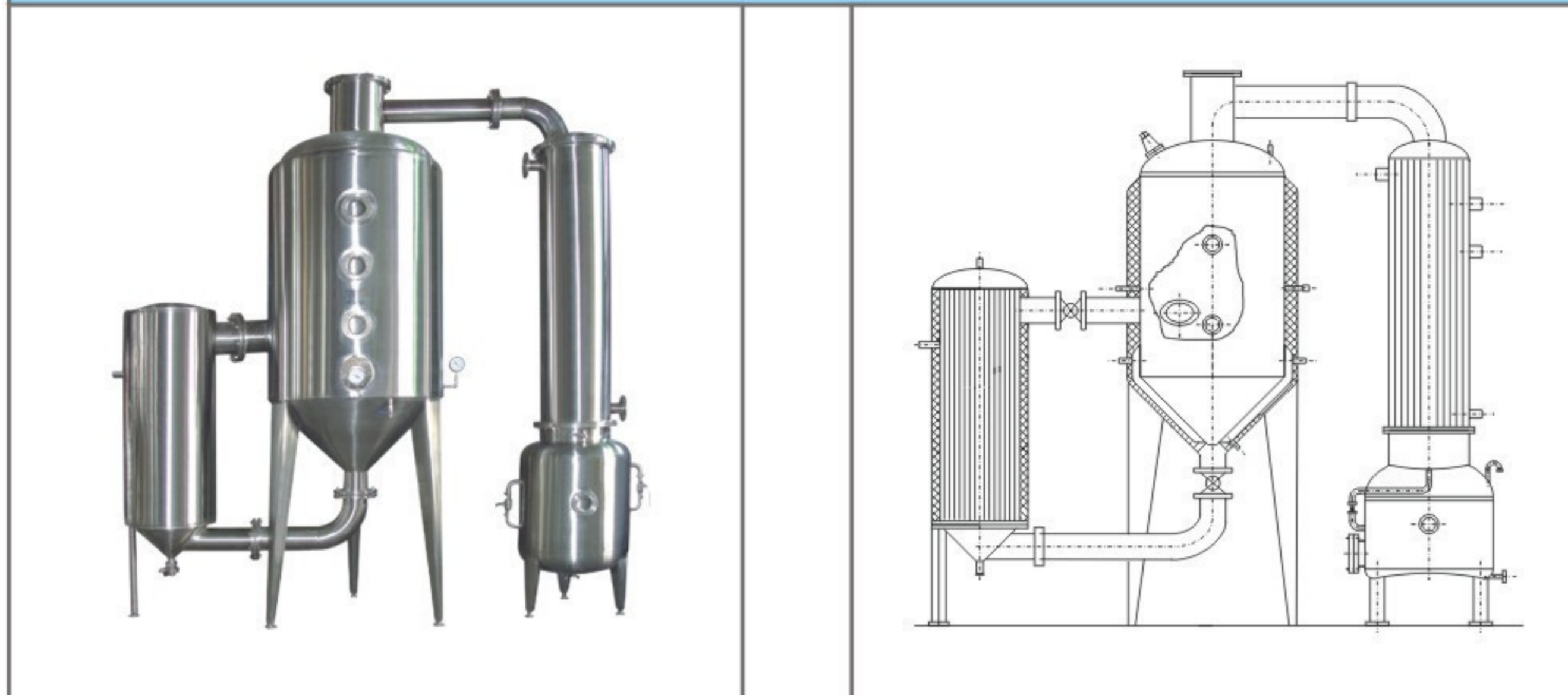
Principle

Put the drug material into the extraction tank and insert the solvent such as water, ethanol, carbinol and acet, etc (in accordance with the technology requirement) whose capacity is five to ten times the drug material. The tee in the extraction tank and the vapor valve of clip sleeve open to heat the extraction liquid until boil that will last for about twenty to thirty minutes. And then, the extraction & filter pipe sorbs one third extraction liquid into the concentrator. And the tee in the extraction tank and the vapour valve of clip sleeve are closed and the heater valve is opened to concentrate the material liquid. The second vapor produced during concentration can enter the extraction tank through the upward pipe at the evaporator to serve as the heat source for extraction to maintain the boil inside the tank.

The second vapor continues rising to change into the condensation liquid by the condenser and falls back inside the extraction tank to serve as new solvent to be added at the drug surface. The new solvent arrives down at the bottom of the extraction tank throughout the drug material layer. The dissolvable effective content at the drug material is resolved into the solvent inside the extraction tank. The extraction liquid enters the concentrator by the extraction & filter pipe and the second vapour produced for concentration arrives the extraction tank to serve as heat source and new solvent. The extraction of new solvent with large circumfluence can make the density of the drug material and solvent at high grads. The solvent in the drug material separates out at high speed until a complete separation (i.e. the extraction liquid is colorless.). Then, the extraction liquid stops entrance of the concentrator. The concentrated second vapor enters the cooler to continue concentration until the drug cream with required proportion (1.2~1.34) is available. The colorless liquid inside the extraction tank can be stored at the storage tank for reuse. The drug residue is drained out of the residue outlet. In the case of extraction with organic solvent, it is necessary to add proper water and open the tee and the clip sleeve vapor valve. After reclamation of solvent, the residue is drained.

系列单效外循环浓缩器

WZ single-effect extractor (SEE)



本设备适用于中药、西药、葡萄糖、淀粉糖、口服液、化工、食品、味精、乳品等物料浓缩与工业有机溶剂(如酒精)的回收,适用于批量小、品种多的热敏性物料的低温真空浓缩。

设备特点与效益

- ◆酒精回收: 回收能力大, 采用真空浓缩流程。比老型同类设备提高了5-10倍, 降低能耗30%, 具有投资小, 回收效益高的特点。
- ◆浓缩液料: 本设备采用外加热自然型循环式与真空负压蒸发方式, 蒸发速度快, 浓缩比重可达1.3; 液料在全密封状态无泡沫浓缩, 本设备浓缩出来的药液, 具有无污染, 药味浓的特点, 而且清洗方便(打开加热器的上下盖即可进行清洗)。本设备操作简单, 占地面积小。加热器, 蒸发器采用不锈钢保温结构, 保温采用聚胺脂发泡, 外表面磨砂亚光处理, 符合GMP医药标准。

技术参数 Technology parameter

规格	型号	WZ-500	WZ-1000	WZ-1500	WZ-2000
蒸发量 (kg/h)		500	1000	1500	2000
蒸汽压力 (Mpa)		0.09			
真空度 (Mpa)		-0.08			
浓缩比重		1.2-1.3			
外型尺寸 (mm)	长	2000	2200	2500	4600
	宽	1000	1200	1300	2350
	高	3000	3300	3500	5100
容器类别		常压			

系列双效节能浓缩器

SJN Double-effect extractor (DEE)

本浓缩器适用于中药、西药、葡萄糖、淀粉、味精、食乳品、化工等液料的浓缩, 尤其适用于热敏性物料的低温真空浓缩。我公司经过精心计算, 周密设计改进后, 比原来的特点效益更多。贵厂可根据浓缩量大小, 来选用技术参数中系列浓缩器。

The concentrator is suitable to concentrate the China traditional drug, west drug, dextrose, amylum, monosodium glutamate, food and milk product and chemical material, especially suitable to concentrate the thermal sensitive material under low temperature and vacuum. After our improvement, the feature and profit is much more obvious. The client can choose the various concentrator in accordance with the concentration content.

特点与效益

- ◆节能效益: 按SJN-1000型计算, 一年节约蒸气约3500吨, 节约冷却水9万吨左右, 节约电8万度左右, 折合人民币10-15万元。(与单效对比)。
- ◆本浓缩器采用外加热自然型循环式与真空负压蒸发方式, 具有蒸发速度快, 浓缩比重大, 可达1.2-1.35(一般中药浸膏), 不需敞口锅收膏。
- ◆本浓缩器采用二效同时蒸发, 二次蒸汽得到使用, 贵厂既节省了锅炉的投资, 节约能源消耗, 耗能量与单效浓缩器相比降低50%, 不到一年可用节能费中收回本浓缩器的全部投资。
- ◆多功能操作特点: (1)可回收酒精浓度80%左右; (2)单效、二效可以反复并锅收膏; (3)可以间歇、连续进料。
- ◆本浓缩器有特殊构造, 浓缩出来的物料具有味道浓, 膏质均匀。使物料在密封中无泡沫状态下进行浓缩, 不易跑料, 减少污染, 当天物料当天浓缩完毕, 不易结焦, 清洗方便, 打开加热器上下盖即可清洗, 并节约劳力, 一人可以操作。
- ◆本浓缩器与物料接触部位均采用不锈钢SUS304(或SUS316L)制造, 加热器、蒸发器外均设有保温层, 保温采用聚胺脂发泡, 外表面磨砂亚光处理, 符合GMP医药标准。



Feature & profit

- ◆ Energy-saving profit: In case of SJN-1000, the saves respectively in the terms of vapor, water and electric per year are about 3500 tons, 90000 tons and 80000 watt, equal to RMB 100,000-150,000 Yuan.
- ◆ The device uses the modes of outer-heated natural cycle and vacuum negative pressure evaporation featuring swift evaporation with concentration proportion of 1.2-1.35 (in case of normal China traditional immerse cream) without need of open-mouth pan for collection of cream.
- ◆ The concentrator uses dual-effect to synchronously vapor, which to utmost extent utilize the second vapor. The client can lower investment in boiler and the energy consumption can be 50% less than that of the single-effect concentrator. It is about less than one year that the client can withdraw the investment in the concentrator.
- ◆ Feature of multiple function handle: (1)The reclaimable alcohol concentration is about 80%. (2)The single-effect and dual-effect can time after time collects cream together. (3)The intermittent and continuous material feeding is available.
- ◆ The special structure of concentrator can bring the concentrated material thick taste and even cream quality. The concentration under the seal and non-bubble condition can prevent material loss and pollution. The present material can be concentrated presently, which features immune to block and convenient cleaning which can be make just by opening the up and down covers and can be make by one person.
- ◆ The part inside the concentrator in contact with the material is made with stainless steel SUS316L (or SUS304). The thermal layer made with polyurethane is available at the heater and evaporator. The surface is treated with sand grinding and surface polishing, meeting with the GMP standard.

技术参数 Technology parameter

产品型号		SJN-500	SJN-1000	SJN-1500	SJN-2000	SJN-3000
蒸发量 (kg/h 清水)		600	1200	1700	2100	3100
蒸汽压力 (Mpa)		250	500	750	1000	1500
蒸汽耗量 (kg/h)		0.09				
循环耗水量 (T/h)		6	12	15	18	20
蒸发温度 (°C) 一效		80-90				
蒸发温度 (°C) 二效		55-70				
真空度 (Mpa) 一效		-0.06				
真空度 (Mpa) 二效		-0.08				
外形尺寸 (mm)	长 L	4000	5000	6000	6500	7500
	宽 W	1500	1600	1600	1700	2000
	高 H	3300	3500	3700	4300	4500
容器类别		常压				

SJN 系列三效节能浓缩器

SJN triple-effect extractor (TEE)



本浓缩器适用于中药、西药、葡萄糖、淀粉、味精、食乳品、化工等液体的浓缩，尤其适用于热敏性物料的低真空浓缩。我公司经过精心计算，周密设计改进后，比原来的特点效益更多。贵厂可根据浓缩量大小，来选用技术参数中系列浓缩器。

特点与效益

- ◆节能效益：按SJN-1000型计算，一年节约蒸气约5400吨，冷却水14万吨，节约电13万多度，降低成本近20万元。
- ◆本浓缩器采用外加热自然型循环式与真空负压蒸发方式，具有蒸发速度快，浓缩比重大，可达1.4(一般中药浸膏)，不需敞口锅收膏。
- ◆本浓缩器采用三效同时蒸发，二次蒸汽得到反复使用，与单效比能耗约降70%，不到一年可用节能费中收回本浓缩器的全部投资。
- ◆多功能操作特点：①可以回收酒精浓度在80度左右，②三效可以浓缩三种不同的物料。③一效、二效、三效、二效、一效可以反复并锅收膏。④可以间歇、连续进料浓缩。⑤可以一次成膏，由第一效进料，经过第二效，第三效出来已一次成膏。
- ◆本浓缩器有特殊构造，浓缩出来的物料具有味道浓，膏质均匀。使物料在密封中无泡沫状态下进行浓缩，不易跑料，减少污染，当天物料当天浓缩完毕，不易结焦，清洗方便，打开加热器上下盖即可清洗，并节约劳力，一人可以操作。
- ◆本浓缩器与物料接触部位均采用不锈钢SUS304(或SUS316L)制造，加热器、蒸发器外面设有保温层，保温采用聚氨酯发泡，外表面磨砂亚光处理，符合GMP医药标准。

技术参数 Technology parameter

产品型号	500	1000	1500	2000	3000
蒸发量 (kg/h 清水)			0.09		
蒸汽压力 (Mpa)	200	400	600	800	1200
蒸汽耗量 (kg/h)	5	10	13	15	18
循环耗水量 (T/h)			80-90		
蒸发温度 (°C) 一效			65-80		
蒸发温度 (°C) 二效			55-65		
真空度 (Mpa) 一效			-0.04		
真空度 (Mpa) 二效			-0.06		
真空度 (Mpa) 三效			-0.08		
外形尺寸 (mm)	长 L	5000	6500	7000	7800
	宽 W	1300	1500	1700	2000
	高 H	3000	3300	3500	4000
容器类别			常压		

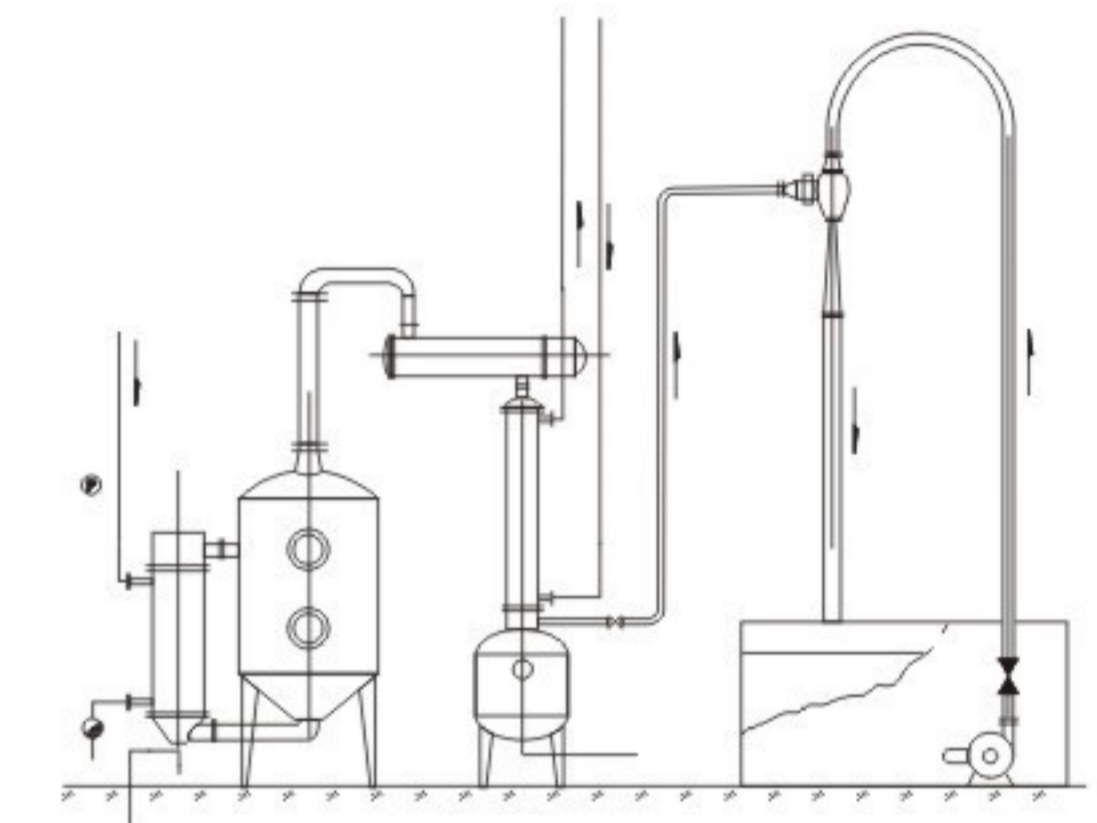
This concentrator is suitable for concentrating the fluid materials of traditional medicine, western medicine, grape sugar, starch, gourmet powder, food and milk products, chemical industry, especially for thermal sensitive matter low temperature vacuum concentration. Our factory has carried out the careful accumulation and meticulous design and reform and got more profits than the original characteristic. You can select the series concentrator in technical parameters according to your concentration degree.

Feature & profit

- ◆Energy-saving profit: Take SJN-1000 as example, the saves respectively in the terms of vapor, water and electric per year are about 5400 tons, 140000 tons and 130000 watt, equal to RMB 200000 Yuan around.
- ◆The device uses the modes of outer-heated natural cycle and vacuum negative pressure evaporation featuring swift evaporation with concentration proportion of 1.4 (in case of normal China traditional immerse cream).
- ◆The concentrator uses triple-effect to synchronously vapor, which to utmost extent utilize the second vapor. The client can lower investment in boiler and the energy consumption can be 70% less than that of the single-effect concentrator. It is about less than one year that the client can withdraw the investment in the concentrator.
- ◆Feature of multiple function handle: 1 The reclaimable alcohol concentration is about 80%. 2 The triple-effect can concentrate three different materials. 3 The single-effect, dual-effect and triple-effect can collect cream together time after time. 4 The intermittent and continuous material feeding is available. 5 The one-off cream formation is available. The material input is finished by the first effect and after the second and third effect, the finished cream is available one-off.
- ◆The special structure of concentrator can bring the concentrated material thick taste and even cream quality. The concentration under the seal and non-bubble condition can prevent material loss and pollution. The present material can be concentrated presently, which features immune to block and convenient cleaning which can be make just by opening the up and down covers and can be make by one person.
- ◆The part inside the concentrator in contact with the material is made with stainless steel SUS316L (or SUS304). The thermal layer made with polyurethane is available at the heater and evaporator. The surface is treated with sand grinding and surface polishing, meeting with the GMP standard.

JN 型系列多功能酒精回收浓缩器

JN multi-functional alcohol reclamation concentrator



- ◆酒精回收：回收能力大，采用真空操作方法，改进了设备的工艺流程。回收率能达到95%，使酒精损耗率低于5%。能耗降低30%，具有投资小，回收效益高的节能设备。
- ◆浓缩液料：本设备采用外加热自然型循环式与真空负压蒸发方式，能具有蒸发速度快，浓缩比重大(1.4)；液料在全密封中无泡沫浓缩，用本设备浓缩出来的药液，具有无污染，药味浓。清洗方便，打开加热器上下盖即可。操作简单，占地面积小，外形美观，加热器、蒸发器、保温完整出厂，本设备与液料接触部位均采用不锈钢SUS304(或SUS316L)制造，保温采用聚氨酯发泡或珍珠棉，外表面磨砂亚光处理，符合GMP医药标准。

◆Alcohol reclamation: The large reclamation capacity and the vacuum operation mode improve the craft process with a reclamation rate of alcohol of 95% and a loss rate of alcohol below 5%. The power consumption lowers for 30%, which improves that the device is a energy-saving equipment with economical investment and high reclamation economy profit.

◆Cocentrated liquid material: The device uses the modes of outer-heated natural cycle and vacuum negative pressure evaporation featuring swift evaporation with concentration proportion of (1.4); The liquid material concentrates without bubble under full seal state. The drug liquid after concentration by the device features non-contamination and thick drug taste and easy cleaning(it is just to open the up and down cover for cleaning.). The device is easy to handle and it needs a little foundation area for installation. The heater and Evaporator use stainless steel SUS316L (or SUS304) for thermal purpose. The polyurethane or pearl cotton is used as the thermal material. The surface is treated with sand grinding and surface polishing, meeting with the GMP standard.

技术参数 Technology parameter

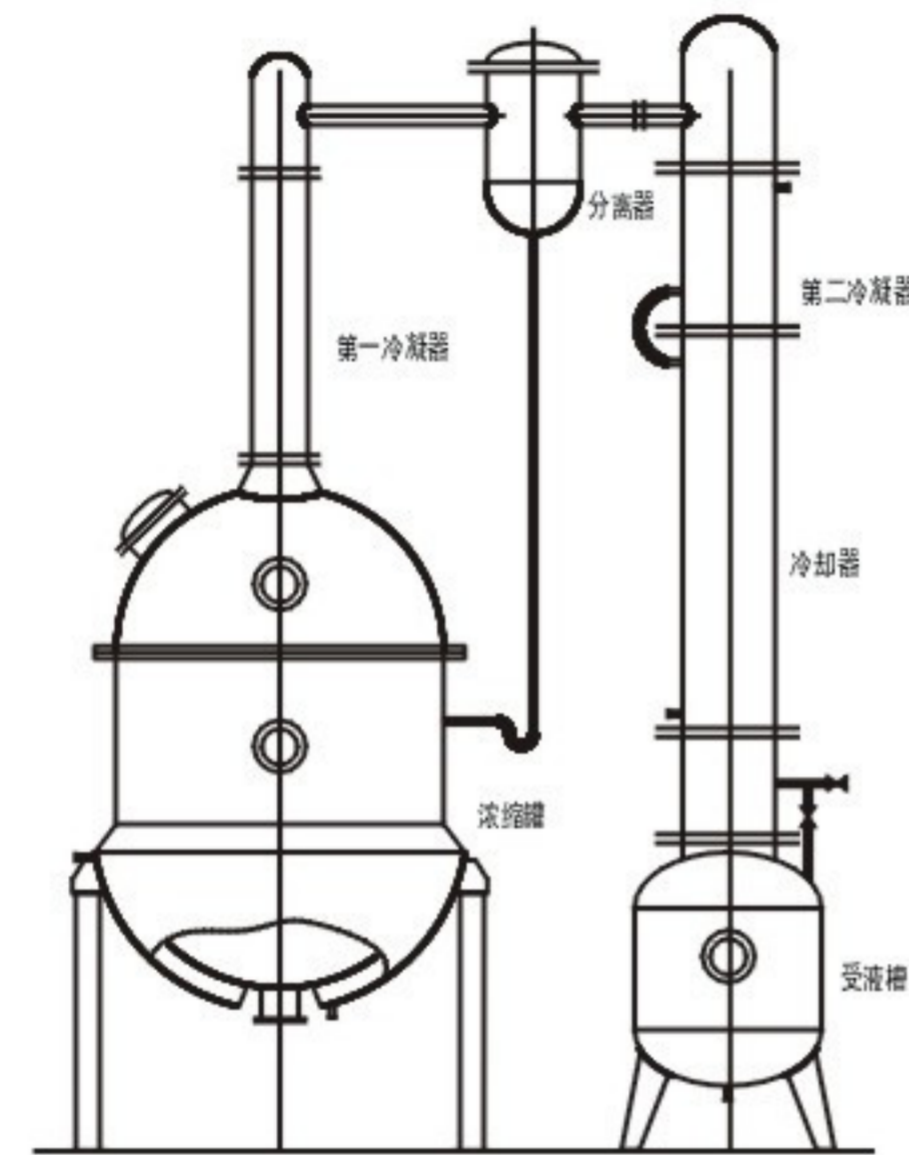
规格	型号	JN-500	JN-1000	JN-1500
蒸发量 (kg/h)		500	1000	1500
回收酒精浓度 (%)			85	
回收量 (kg/h)		200	350	500
蒸汽压力 (MPa)			0.09	
真空度 (MPa)			-0.08	
蒸发温度 (°C)			40-80	
浓缩比重			1.2-1.4	
设备重量 (Kg)		1300	1850	2850
	长	2000	2200	2500
	宽	1000	1200	1300
外形尺寸 (mm)	高	3000	3300	3500
	容器类别		常压	

本设备适用于中药、西药、葡萄糖、酿酒、淀粉、口服液、化工、食品、味精等工业酒精回收，能用于批量小、品种多的热敏性低温真空浓缩。

The device is to concentrate the material in the occasions such as China traditional drug, west drug, dextrose, amyllum sugar, oral liquid, chemistry, foodstuff, monosodium glutamate and vintage and to reclaim the industrial organic solvent such as alcohol. It is suitable to concentrate the thermal sensitive material under lower temperature and vacuum with little batch number and multiple varieties.

ZN 系列真空减压浓缩罐

ZN vacuum pressure reduction concentrator



本设备主要包括浓缩罐、冷凝器、汽液分离器、冷却器、受液桶五部件，浓缩罐为夹套结构，冷凝器为列管式，冷却器为盘管式结构。本设备适用于制药、食品、化工等行业对料液的浓缩，并且可作为回收酒精和简单的回流提取之用。设备与物料接触部分均采用不锈钢SUS304(或SUS316L)制造，具有良好的耐腐蚀性能，并符合GMP医药标准。

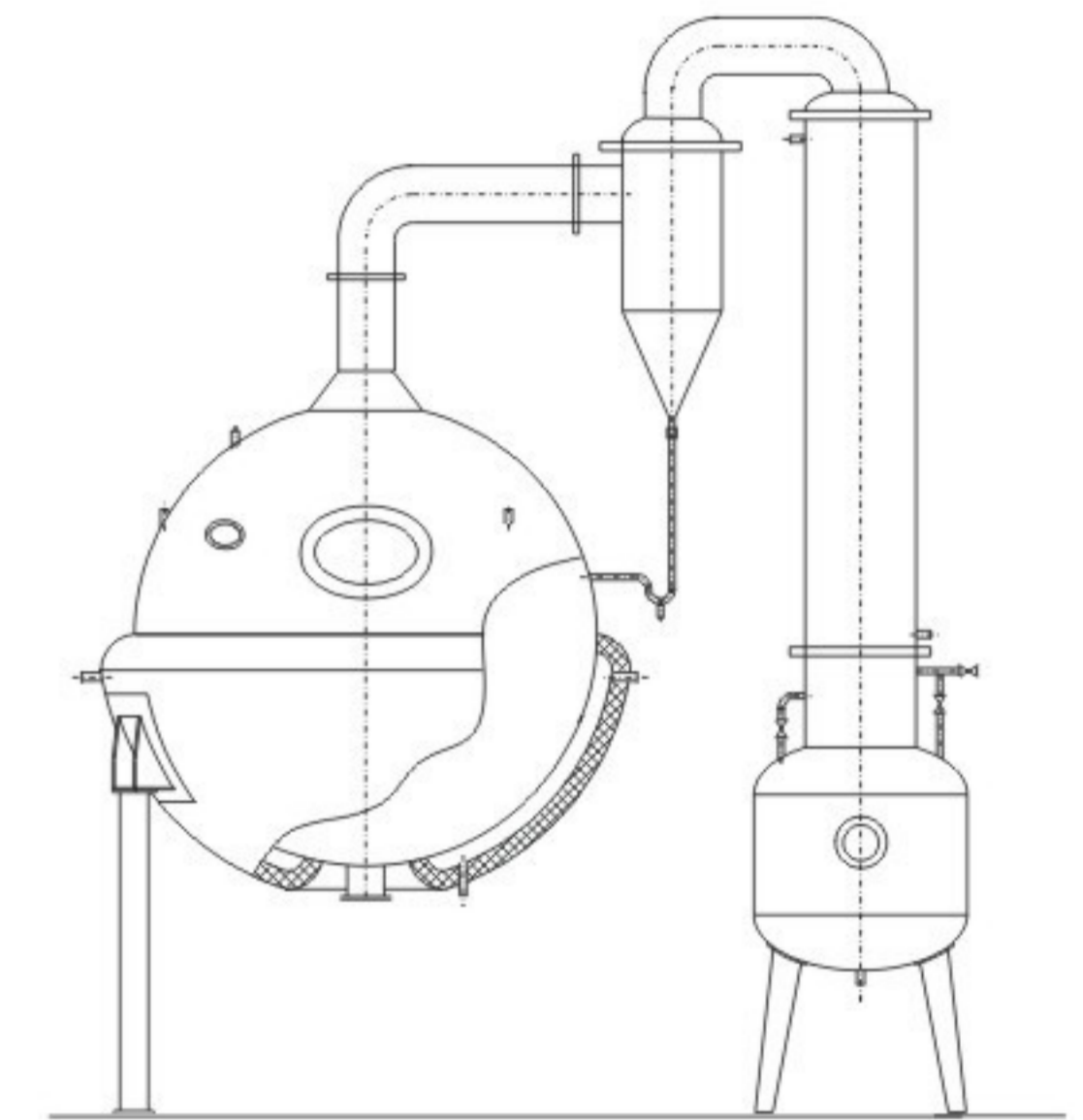
The device includes concentration tank, condenser, gas-liquid separator, cooler and liquid receiving barrel. The concentrator tank is of clip sleeve structure. The condenser is of line pipe type and the cooler is of tray pipe type. The device is suitable to concentrate in the pharmacy, foodstuff and chemistry and also can serve as reclamation of alcohol and simple reflux extraction. The fact that the part in contact with the material is made with stainless steel SUS316L (or SUS304) brings qualified anti-corrosion performance, meeting with the GMP standard.

技术参数 Technology parameter

型号规格Model and specification	ZN-50	ZN-100	ZN-200	ZN-300	ZN-500	ZN-700	ZN-1000	ZN-2000
蒸发能力(kg/h)	20	40	60	80	100	130	160	350
蒸汽压力(MPa)	0.09							
加热面积(m ²)	0.4	0.6	0.8	1.1	1.2	2.0	2.5	5.5
冷凝面积(m ²)	1.2	1.7	2.4	3.0	3.2	3.6	4.5	14
冷却面积(m ²)	0.25	0.35	0.45	0.6	0.7	0.85	1.1	3
受液槽容积(L)	15	45	60	76	100	125	140	185
耗能(kg/h)	23	46	70	92	115	150	185	403
真空度(MPa)	-0.08							
容器类别	常压							
设备重量(kg)	410	470	605	715	862	1015	1250	2600
外形尺寸Dimension(mm)	长 L	1200	1350	1700	1800	2100	2400	2730
	宽 W	600	750	800	950	1200	1300	1500
	高 H	2200	2200	2700	2850	3400	3400	4700

QN 系列球形真空浓缩罐

QN roundness vacuum concentrator



球形浓缩罐主要由浓缩罐主体、冷凝器、汽液分离器、受液桶四个部分组成，可用于制药、食品、化工等行业对料液的浓缩、蒸馏及有机溶剂的回收等工艺。由于采用减压浓缩，故浓缩时间短，且不会破坏热敏性物料的有效成份。本设备与物料接触部分均为不锈钢SUS304(或SUS316L)制造，具有良好的耐腐蚀性能，经久耐用，符合GMP医药标准。

The roundness concentration tank, consisting of main body, condenser, gas-liquid separator and liquid receiving barrel, serves to concentrate, distil the material liquid and reclaim organic menstruum in the pharmacy, foodstuff and chemistry. The concentration under reduced pressure brings short time of concentration and prevent the destruction of the effective content in the thermal sensitive material. The fact that the part in contact with the material is made with stainless steel SUS316L (or SUS304) brings qualified anti-corrosion performance, meeting with the GMP standard.

技术参数 Technology parameter

型号规格Model and specification	QN-300	QN-500	QN-700	QN-1000
蒸发量(kg/h)	70	120	145	195
公称容积(L)	300L	500L	700L	1000L
蒸汽压力(MPa)	0.09			
真空度(MPa)	-0.08			
加热面积(m ²)	1.3	1.5	2	2.8
冷凝面积(m ²)	2.4	3	3.5	4
设备重量(kg)	380	450	630	950
外型尺寸(mm)	长	1900	2030	2100
	宽	1100	1200	1300
	高	2300	2500	2600

LJN 三效降膜连续进料浓缩器

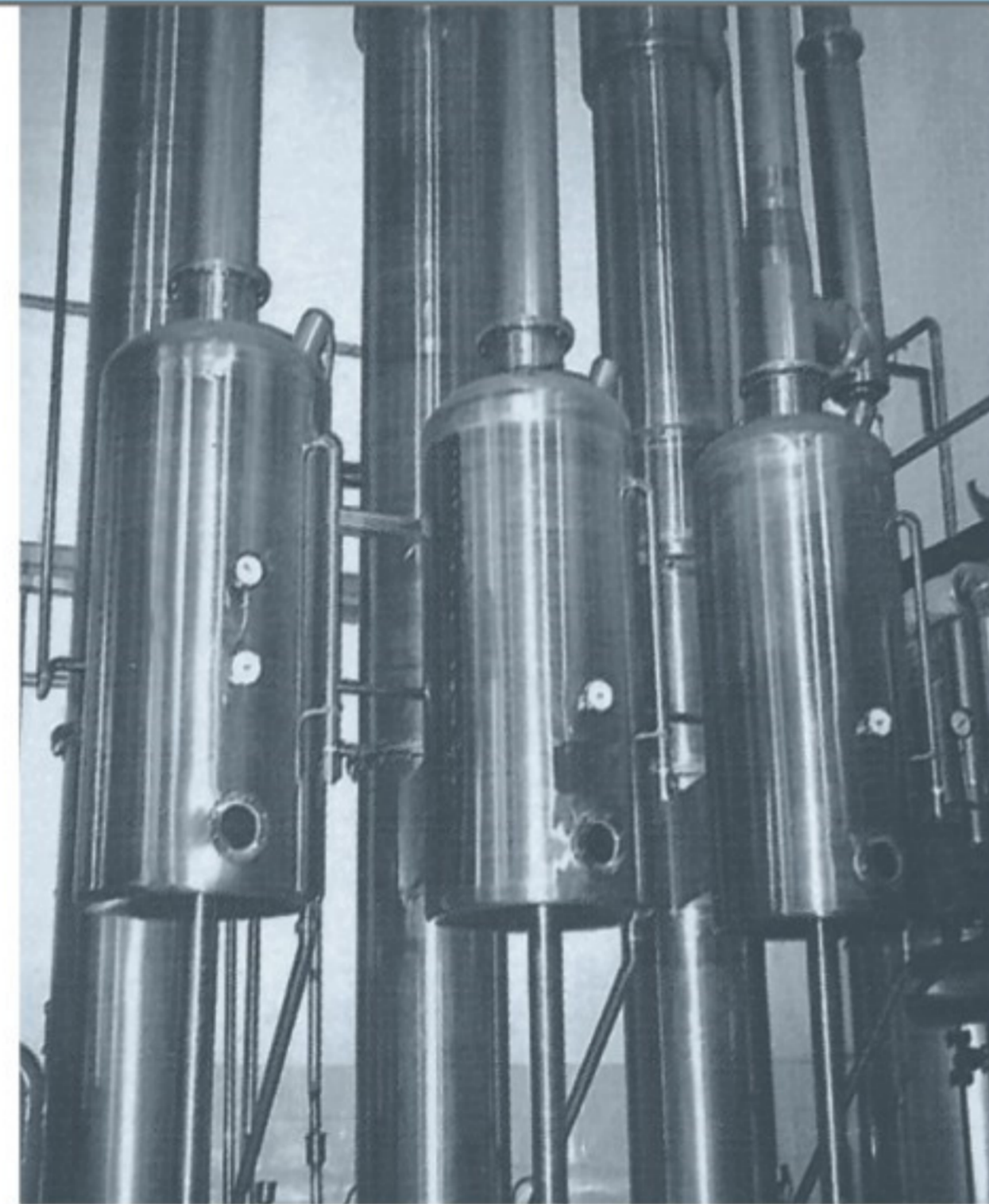
LJN Three effect falling-film continuous feeding concentrator

目前厂家使用的三效浓缩器自八十年代末、九十年代初设计推广，在应用方面存在明显的缺陷：

- ◆一次浓缩周期要分两次进料，三效的出料浓度(比重)不一，第三效的物料浓度较低，往往需要重新用第一效浓缩或与第一效浓缩的物料混合才能达到工艺要求，不便于控制。
- ◆操作复杂。进料为间隙式，过程中需要补料，第三效物料需要往前二效输送，浓缩料的比重无法控制，同时容易产生操作失误，给生产造成损失。
- ◆对物料的适应范围小。由于其采用的结构型式为外循环平流加料，物料以密度差作为循环推动力并反复通过加热获取比重差循环，传热系数较低，加热温度差较大(10-15℃)，同时物料流动的推动力小，物料流动速度不快，对物料的粘度适应范围较小(0-100cp)，对热敏性物料的有效成份的破坏也较多，且物料易结晶析出并在管内壁结垢以至于结焦。
- ◆节能效果不明显。由于传热系数不高，系统的热效率低节能效果不明显。

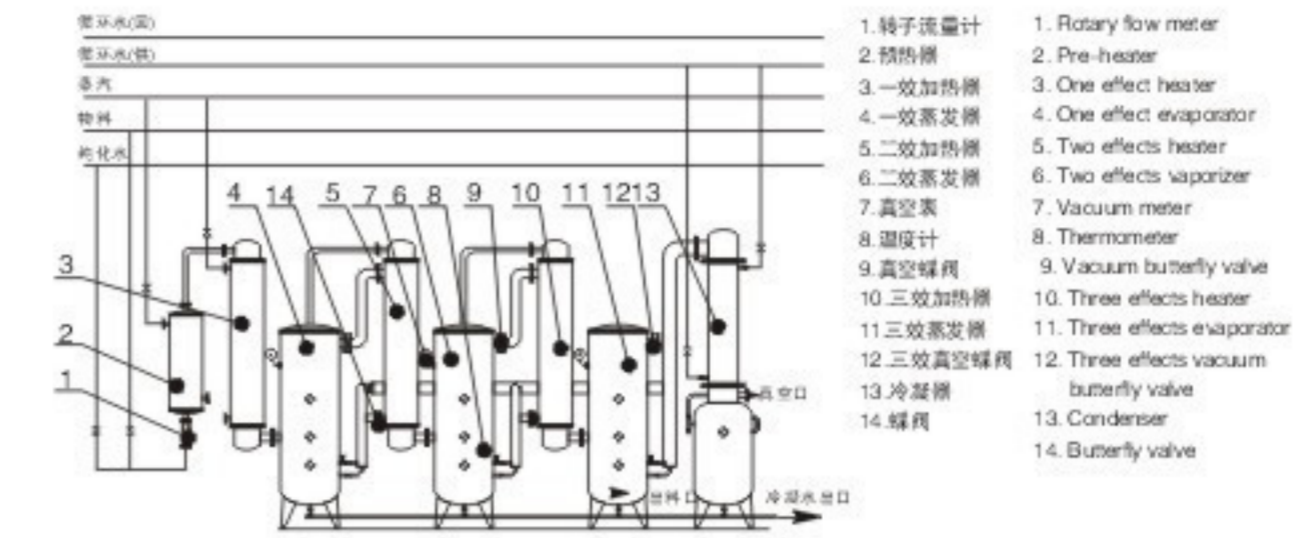
本公司广泛结合进口浓缩设备与其它行业浓缩设备所长，并结合中药提取液的特性，设计与开发出系列LJN型三效(双效、单效)降膜连续进料浓缩器。该设备的特点如下：

- ◆连续进料与出料，系统稳定，操作方便。本系列设备在工作时，仅需在进料初期按要求调节好各项参数，同时保证物料连续稳定供应，调节方便，可连续稳定高效进行浓缩并达到合格的比重要求并可同时回收溶剂。
- ◆浓缩比重大(可达1.25-1.28)，热效率高，节能效果显著。在本系统结构上，我们采用优化的设计方案，使蒸发传热系数达3400-3800w(m²·K)，这对中药提取液的浓缩是非常适合与有利的，主要原因是物料在加热管中成膜状快速流动，同时加热温度差较小(仅为8-10℃)，蒸发温度低，物料在进入蒸发器后能形成快速闪蒸。药液在加热管中的停留与受热时间短，对物料的粘度适应范围广(50-500cp)，受热均匀不易结晶析出与结焦，对有效成份的破坏量小，热能利用充分，节能效果显著。
- ◆便于采用先进的控制方法。由于LJN系列浓缩的流程主要以各效的温度为控制参数，系统运行时各参数稳定，便于采用先进的自动控制(PLC与人机界面控制)，而且控制装备成本相对较低，对于中药生产实现全自动控制有较大的便利。
- ◆结构设计先进、合理。在结构上，我们采用优化的设计方案，对进料时的料液分布与在管内的流动我们采用先进的液体分布装置，使物料能均匀地进入各加热管，同时，选用优质进口的内壁镜面管作加热管，使物料在管内的流动阻力小、速度快，不易析出结垢。为提高浓缩的收率，系统装备先进的雾沫捕集器，消除雾沫夹带的能力强，分离效率可达96-99%，而且阻力降小。



Accord with FDA standard,meeting with the GMP requirement,ISO9001 certification, first-class and second-class pressure vessel manufacture.

符合FDA标准/满足GMP要求/ISO9001认证/一类、二类压力容器制造



The presently used concentrator began serving at the end of 1980's and the Beginning of 1990's, with obvious shortcoming at application:

- ◆ One concentration cycle is of two times of feedings, with different discharge concentration (density) of three effects. The material concentration of three effects is usually lower. So it is a must to mix first effect concentration or first effect concentrated material to meet technology requirement, but which is difficult to be under control.
- ◆ Complicated operation. The feeding is of intermittent type. It is necessary to send the three effect material to the first effect and second effect, which leads to the density of concentration material difficult to control and is liable to produce wrong operation to cause loss to production.
- ◆ Narrow adaptation to material. The structure mode is outer recirculation flat flow feeding. The material leaves the difference of density as push force for recirculation and obtains density difference recirculation by repeated heating. The coefficient of heat transmission is slightly low and the temperature difference for heating is somewhat large(10-15℃), meanwhile, the small push force to material flow results in slow flow speed. The adaptation scope to material viscosity is narrow (0-100cp), destroy to effective element of heat-sensitive material is rather serious and the material is bound to be crystallized, then to deposit and even coke.
- ◆ Low energy-saving effect. The low heat transmission coefficient leads to low heat efficiency that can't save energy very much. We integrated the highlight of imported concentration equipment with that of the counterparts used at other industry and the characteristic of extraction liquid of Chinese drug to introduce the client series LJN type three effect (double effect, single effect) falling-film continuous feeding concentrator. The equipment feature is as follows:
- ◆ Continuous feeding and discharge, stable and convenient operation. The only operation package of setting of different parameters at the beginning of feeding, assurance of reliable and stable feeding supply and easy regulation can certainly produce continuous, stable and efficient concentration, get qualified density and simultaneously recover solvent.

◆ Large concentration density, (1.25-1.28), high heat efficiency and effective energy-saving fruit. To this system, we used optimum to leave a vaporization heat transmission coefficient of 3400-3800 w(m²·K), which is very benefit to concentration of Chinese extraction liquid. The cause for it is that the material flows quickly with the form of film inside the acceleration pipe, and simultaneously, the temperature difference for heat is somewhat small, (just 8-10℃). The material can form quick flashing, the medicine liquid stays and be heated for short time; the adaptation scope of material viscosity is wide, (50-500cp); the even heating excludes crystallization, and then to deposition and even coke. So it features little destroy to effective element, full utilization of heat energy and fruitful energy-saving.

◆ Convenient to employment of advanced control mode. The temperature index for series LJN concentration flow is mainly subject to the temperature of each of effect. Each of parameter keeps stable during system performance, which benefits the utilization of advanced control unit featuring (PLC and man-machine interface control) and leaves the lower cost of control equipment, makes the production of Chinese drug by automatic control great convenience.

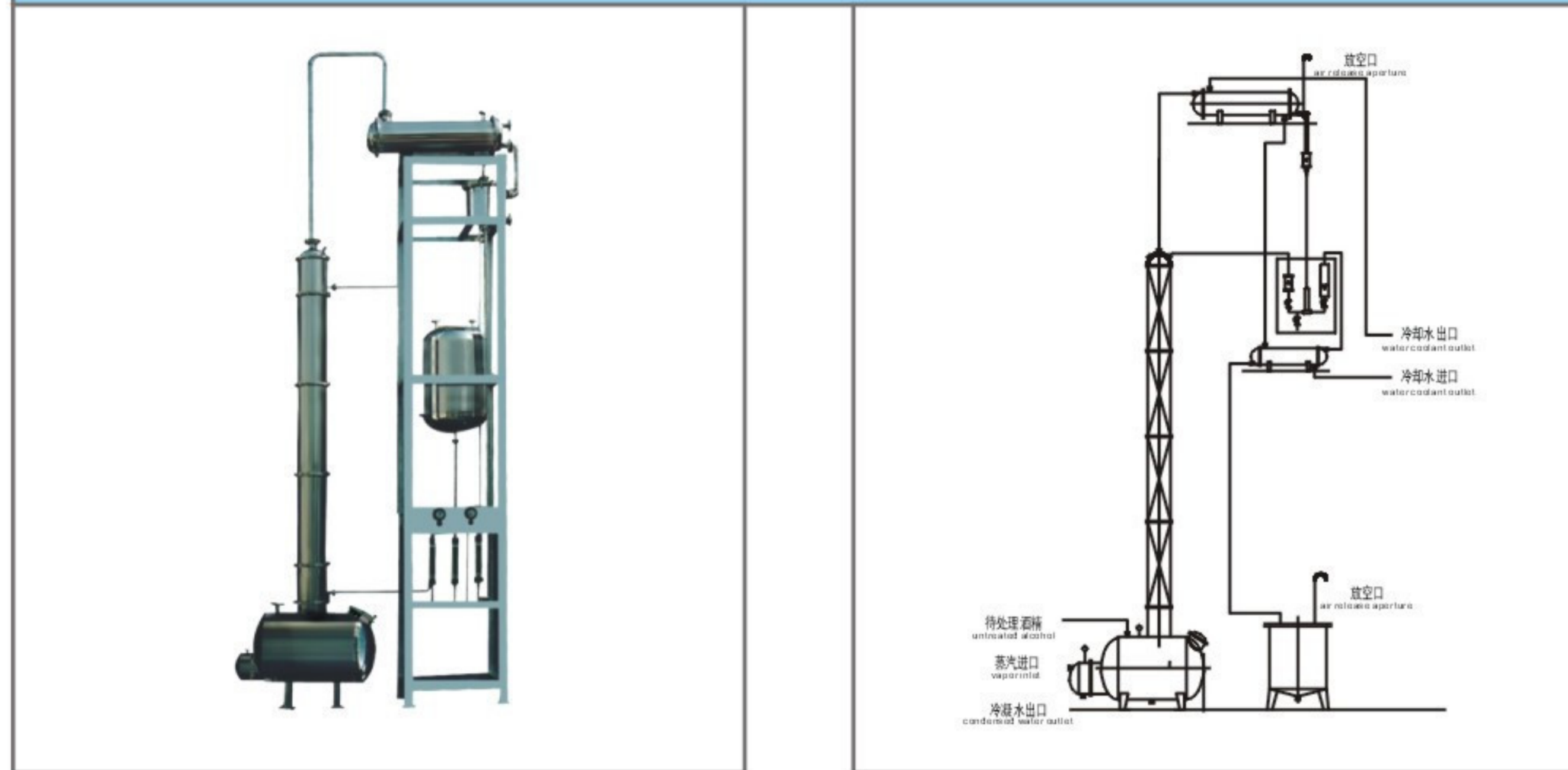
◆ Advanced and reasonable structure. We used optimum design scheme. Advanced distribution device is responsible for liquid is attribution during feeding and flow inside the pipe to make the material able to enter heating tube evenly. Simultaneously, the heating tube, made by qualified and imported inner-wall mirror tube, can reduce the flow resistance to the material inside the tube, increase the flow speed, and prevent crystallization and deposition. To lift concentration efficiency, the advanced mist collector can eliminate mist. The separation efficiency can be of 96-99%, with low resistance.

技术参数 Technology parameter

规格	型号	LJN500	LJN1000	LJN1500	LJN2000	LJN3000	LJN5000	LJN6000	LJN8000
蒸发量		500	1000	1500	2000	3000	5000	6000	8000
蒸汽压力(MPa)		0.1-0.25							
耗汽量(kg/h)		185	370	555	740	1110	1850	2220	2960
循环水耗量(T/h)		5	10	13	15	18	25	30	40
外型尺寸(mm)		7090 ×900 ×3500	7690 ×1000 ×4000	8390 ×1100 ×4600	8990 ×1200 ×4600	9500 ×1300 ×4900	10200 ×1400 ×5300	10800 ×1500 ×5800	11500 ×1600 ×5800
		真空度(绝对压力)(MPa)				蒸发温度(℃)			
一效		0.048-0.057				80-85			
二效		0.031-0.038				70-75			
三效		0.019-0.025				60-65			

JH 系列酒精回收塔

JH Alcohol Recovery Tower



JH系列酒精回收塔由塔釜、塔身、冷凝器、冷却器、高位贮罐等部分组成，适用于制药、食品、轻工、化工等行业的稀酒精回收，本设备与物料接触部分均采用不锈钢SUS304(或SUS316L)制造，具有良好的耐腐蚀性能，并且有节能、环保、降低生产成本、提高效率的优点。本装置可将30度~50度的稀酒精蒸馏到93度~95度，残液排放含醇度低，符合环保要求，设备外表面亚光处理，符合GMP医药标准。

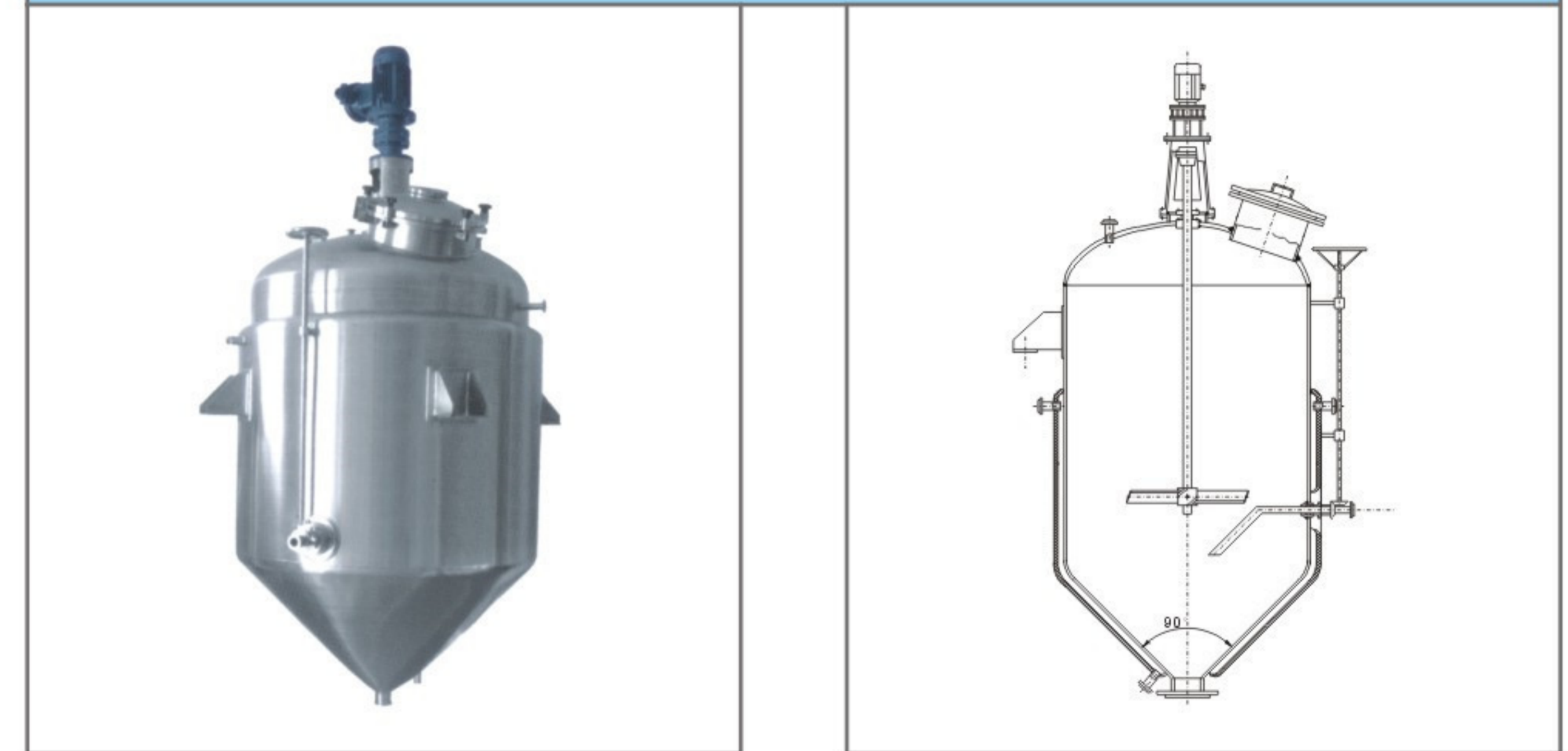
JH-series Alcohol Recovery Tower is made up of tower pot, tower body, condenser, cooler, and high-level storage tank, which is applicable to pharmacy, food, light industry and chemical engineering works for thin alcohol recovery. The parts of this equipment that contact materials are all made of stainless steel SUS304 or SUS316L, so the equipment has good corrosion-resistant capability and can save energy, protect environment, reduce production cost and increase efficiency. This device can distill thin alcohol of 30~50 degree to 93~95 degree. The residual liquid has low discharge alcohol content, which is in accordance with environment protection requirement. The device adopts highly-effective stainless steel corrugated loading material. The parts contacting material are all made of stainless steel. The equipment surface has got surface polishing treatment. GMP medical standards.

技术参数 Technology parameter

型号规格 Model and specification	JH-200	JH-300	JH-400	JH-500	JH-600	JH-800
塔容积 (L)	640	1220	1450	2300	2505	3200
塔身高度 (mm)	6000	7000	7000	7000	7500	7500
高位罐容积(L)	300	400	650	800	1000	1500
冷凝面积 (m ²)	5	8	11	18	25	45
冷却面积 (m ²)	1	1.5	2.2	4	6	8
加热面积 (m ²)	3.0	6.0	6.5	10	15	26
回收能力(kg/h)	45~50	90~100	150~160	280~300	420~440	600~620
回收浓度(%)	93~95					
填料形式	不锈钢波纹填料					
容器类别	常压					
设备重 (kg)	1100	1900	2300	3800	4500	6800
外形尺寸 Dimension(mm)	长 L	2300	2600	2500	3000	4200
	宽 W	700	800	1000	1200	1800
	高 H	7300	7500	9000	9000	10000

JC 系列酒精沉淀罐

JC Alcohol Deposition Tank



本设备适用于中药、口服液、食品、保健品、化工等行业的酒精沉淀。酒精沉淀罐系醇沉(亦称换溶或醇杆)旧工艺新开发的专用设备。主要用于中药水煎液经浓缩后的溶液进行冷冻或常温酒精沉淀的操作，也可用于中药醇提后，对浓缩液进行水沉的操作。本设备是由附夹套的椭圆封头，锥形底的圆筒体，内装三叶搅拌以及特殊的微调旋出液管等组装而成，中药水煎浓缩采用加入酒精配成一定醇度的液体，然后常温，低温冷冻沉降进行液固分离，以提高中药提取液的纯度及澄明度。本设备全部选用不锈钢SUS304(或SUS316L)制造，配有高压水自动喷淋清洗系统，夹套中可通低温冷却水，传动部位采用机械密封、防爆电机确保生产过程，符合GMP医药标准，设备表面镜面或亚光处理。

The device is suitable for alcohol deposition in such industries as China traditional drug, oral liquid, foodstuff, health product, chemistry. The alcohol deposition tank is a special device for alcohol deposition, also titled solvent change or alcohol bar. It is mainly used to freeze the solution from concentration of water-decocted China traditional drug or make alcohol deposition under normal temperature, also to execute the water deposition of the concentrated liquid after the alcohol deposition of China traditional drug. The device includes the ellipse seal head with clip sleeve, tapered-shaped base of cylinder, ommer-installed three-paddle miller and special finely-regulated revolve-out liquid pipe, etc. The mode of water-decocting and concentration of China traditional drug as follow: First fill the alcohol to form mixture, secondly under low temperature freeze to make deposition to separate the solid from the liquid to improve the purity and cleanness of the extraction liquid of China traditional drug. The device is made with stainless steel of SUS304. The high pressure automatic spray & cleaning system is available. It is available to fill the low temperature of cooling water through the clip sleeve. The mechanical seal in the transmission part and the explosion-proof motor can ensure the security of the production process, meeting with the GMP standard. The surface is treated with polish or surface polishing.

技术参数 Technology parameter

型号规格 Model and specification	JC-300	JC-500	JC-1000	JC-1500	JC-2000	JC-3000	JC-6000
容积 (L)	300	500	1000	1500	2000	3000	6000
换热面积 (m ²)	1.8	3.0	4.5	5.4	6.2	8.1	12
工作温度 (°C)	-15~25						
换热介质工作压力 (Mpa)	0.25						
工作压力 (Mpa)	0.09						
搅拌功率 (kw)	0.75	0.75	1.5	1.5	2.2	3	4
搅拌转速 (r/min)	032						
传热系数 (K)	150~200						
设备重量 (Kg)	450	500	580	630	910	1410	2080

SLG 型渗漉罐

SLG Seeping Tank

用途

本设备适用于中药、食品、化工等行业的渗漉操作。

Usage

The equipment is applicable for the filtration operation for such industries as traditional Chinese medicine, food and chemical industry etc.

工作原理

渗漉法是往药材粗粉中不断添加浸取溶剂使其渗过药粉，从下端出口流出浸取液的一种浸取方法。渗漉时，溶剂渗入药材的细胞中溶解大量的可溶性物质，浓度增加，密度增大后向下移动，上层的浸取溶剂或稀浸液置换位置，造成良好的浓度差，使扩散较好地自然进行，故浸取效果优于浸渍法，提取也较完全。

Working principle

The filtration method is to add continuously leaching solvent into the rough powder of medicine material to make it filtrate the medicine powder, and then the leaching liquid will flow from the bottom outlet. During the filtration, the solvent will filter into the cell of medicine material to dissolve large amount of soluble matter. The concentration increases, and it will move downward after the density increases. The leaching solvent at the upper layer or the thin leaching liquid will exchange the position and produce good concentration difference to make the scattering be carried out smoothly. Thus, the leaching effect is better than the dipping method, and the extraction will be comparatively complete.



结构与特点

本设备由筒体、锥体、椭圆形封头(或平盖)、气动出渣门、气动操作台等组成，具有溶剂分布均匀，出渣方便等特点。

The equipment is composed of tank body, taper body, oval seal head (or flat cover), pneumatic slagging door and pneumatic operation bench etc. It has such characteristics as equal solvent distribution and convenient slagging etc.

技术参数 Technology parameter

参数	型号	SLG0.5	SLG1	SLG2	SLG3
全容积(L)capacity		600	1200	2300	3200
罐内设计压力(MPa)Design pressure inside tank		常压			
加料口直径(mm)Raw material input door		300	400	400	400
出渣口直径(mm)Dregs outlet door diameter		400	600	800	800

PYG 系列不锈钢配液罐 (反应釜)

PYG series processing Tank (Reactor)



本系列配液罐严格遵循《药品生产质量管理规范》GMP总则(1998年修订版)第三十一、三十二条要求,根据GB150-98《钢制压力容器》,JB/T4735-97《钢制焊接常压容器》要求进行设计、制造验收。

- ◆容器保温材料采用耐高温、抗老化聚氨酯发泡或珍珠棉。
- ◆接口采用国际通用标准ISO快装卡盘式,内胆选用进口不锈钢SUS304(或SUS316L)制造,内表面镜面抛光至 $Ra \leq 0.28 \mu m$,外表面抛亚光、镜面、喷砂或冷轧原色亚光,符合GMP医药标准。
- ◆搅拌器的密封采用进口卫生级机械搅拌密封或磁力全密封搅拌装置,搅拌转速可选。
- ◆管口设有液位计口(静压式、电容式、无触点式、超声波式、玻璃管式)、空气呼吸器、温度计(数显式或表盘式)、CIP清洗口、视镜、防爆视镜(视镜视镜灯一体化)、SIP灭菌口、进出口及卫生人孔等。
- ◆容积有100L-10000L等规格,也可根据客户实际需要进行设计、制造。
- ◆随机附送有关GMP验证资料(含材质报告、外购件合格证、验证表格等)。

The liquid arrangement tank strictly following with the 31st and 32nd clauses of 《Medicine Production Quality Management Norm》-GMP General Principles (1998 Revised Edition), and is designed, manufactured and accepted according to the requirements of GB150-98 《Steel Pressure Vessel》 and JB/T4735-97 《Steel Welding Normal Vessel》.

- ◆ Isolation material of the vessel adopts high-temperature resistant rock wool and anti-aging PU foam.
- ◆ ISO clamp, inner container adopts imported stainless steel SUS316L or SUS304, internal surface is polished to $Ra \leq 0.28 \mu m$, and external surface polishing mirror polish, sand blasting or cold-rolled nature-color surface polishing. All is in accordance with GMP medical standards.
- ◆ Sealing of mixer adopts imported sanitation-grade mechanical stirring enclosing or magnetic totally-enclosed stirring device. The mixing rotary speed is optional.
- ◆ Orifice is set with level gauge (static-pressure type, capacitance type, non-contact type, ultrasonic type and glass tube type), air respirator, thermometer (digital display type or dial plate type), CIP cleaning mouth, viewing mirror, explosion-proof viewing lamp (viewing mirror and viewing lamp integration), SIP sterilizing mouth, liquid entrance-exit gate and sanitary inlet.
- ◆ Volume Specification: 100L-10000L or to be designed and manufactured at customers' actual request.
- ◆ Relevant GMP testing data are attached (including material report, external components certificate of quality and verification form).

技术参数 Technology parameter

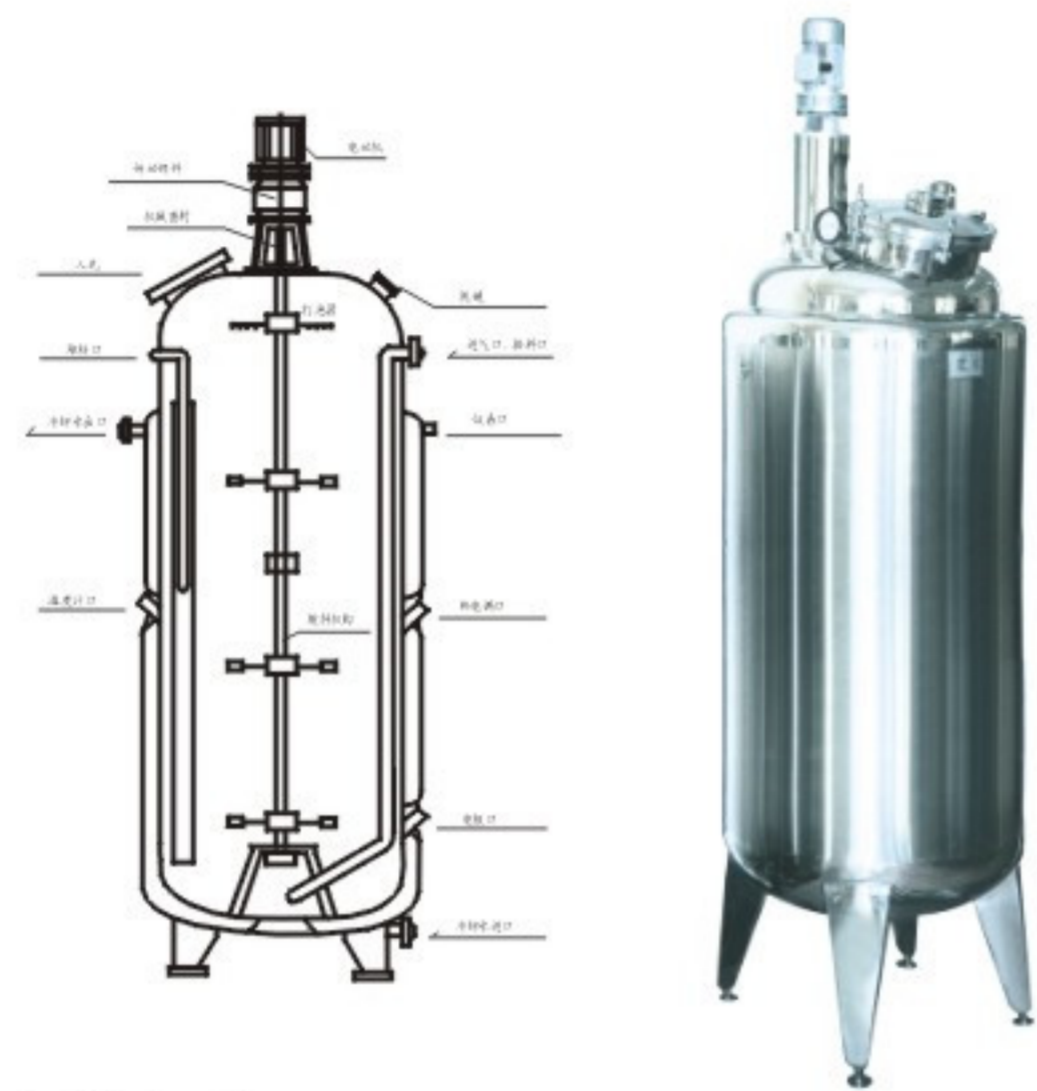
公称容积	工作压力(Mpa)	工作温度(°C)	搅拌转速(转/分)	H(mm)	H1(mm)	D(mm)	D1(mm)	h(mm)
100	0.25	100	0-720	1750	450	φ750	φ550	300
200	0.25	100	0-720	1950	600	φ850	φ650	300
600	0.25	100	0-720	2500	1000	φ1100	φ900	350
1000	0.25	100	0-720	2850	1200	φ1300	φ1100	350
2000	0.25	100	0-720	3350	1500	φ1500	φ1300	350
3000	0.25	100	0-720	3700	1700	φ1700	φ1500	350
5000	0.25	100	0-720	4250	2000	φ2000	φ1800	400
10000	0.25	100	0-720	5000	2500	φ2500	φ2300	400

FJ 系列保温冷却发酵罐 (种子罐、结晶罐)

FJ insulation and Cooling Fermentation Tank (Seed tank, crystallizing tank)



结晶罐
Crystallizing tank



发酵罐(种子罐)
fermentation tank (seed tank)

发酵罐(种子罐、结晶罐)广泛应用于制药、精细化工、生物工程等行业,罐体设有夹层、保温层(可加热、冷却、保温)。罐体与上下封头(或锥形)均采用旋压R角加工,罐内壁经镜面抛光处理,光洁度Ra≤0.4 μm,无卫生死角,全封闭的设计确保物料始终处于无污染的状态下混合、发酵,设备配备空气呼吸器、清洗球、卫生人孔、视镜、视灯等装置。
制药、精细化工、生物制品发酵过程是一个无菌、无污染的过程,发酵罐采用了无菌系统,避免和防止了空气中微生物的污染,大大延长了您产品的保质期和产品的纯正,我们在罐上特别设计安装了无菌呼吸气孔或无菌正压发酵系统。可通入加热或冷却介质来进行循环加热和冷却。与物料接触的部分全部采用不锈钢SUS304(或SUS316L)制造,保温采用聚氨酯发泡或珍珠棉,外表面磨砂亚光处理,符合GMP标准。
容量可由100-20000L多种不同规格。

Fermentation Tank(seed tank,crystallizing tank) is widely applied in pharmacy, fine chemical engineering and biological engineering in dustries. The tank body has interlayer and heat-insulating layer (for heating, cooling or heat insulating) The tank body , upper and lower closure heads(or taper) all adopt spinning R-angle processing. The internal wall of the tank has got mirror polishing with finish Ra≤0.4 μm. It has no sanitary dead corner and its wholly-enclosed design ensures that materials are always. Mixed and ferment at non-pollution state. It is equipped with devices including air respirator, cleaning ball, sanitation inlet , viewing mirror, and viewing lamp. The fermentation process of Pharmacy, fine chemical engineering and biological products is aseptic and untainted. Fermentation tank adopts aseptic system which helps avoid microorganism pollution in the air and greatly extends quality warranty period and purity of the products. We specially designed and installed aseptic respiratory air hole or aseptic normal-pressure fermentation system, which can finish circulating heat-up and cooling through medium heat-up and cooling. The parts that contact materials are all made of stainless steel SUS304 or SUS316L. Heat preservation adopts polyurethane blister or pearl cotton. External surface adopts sand grinding surface polishing treatment. All is in accordance with GMP standard Volume : 100-20000L.

技术参数 Technology parameter

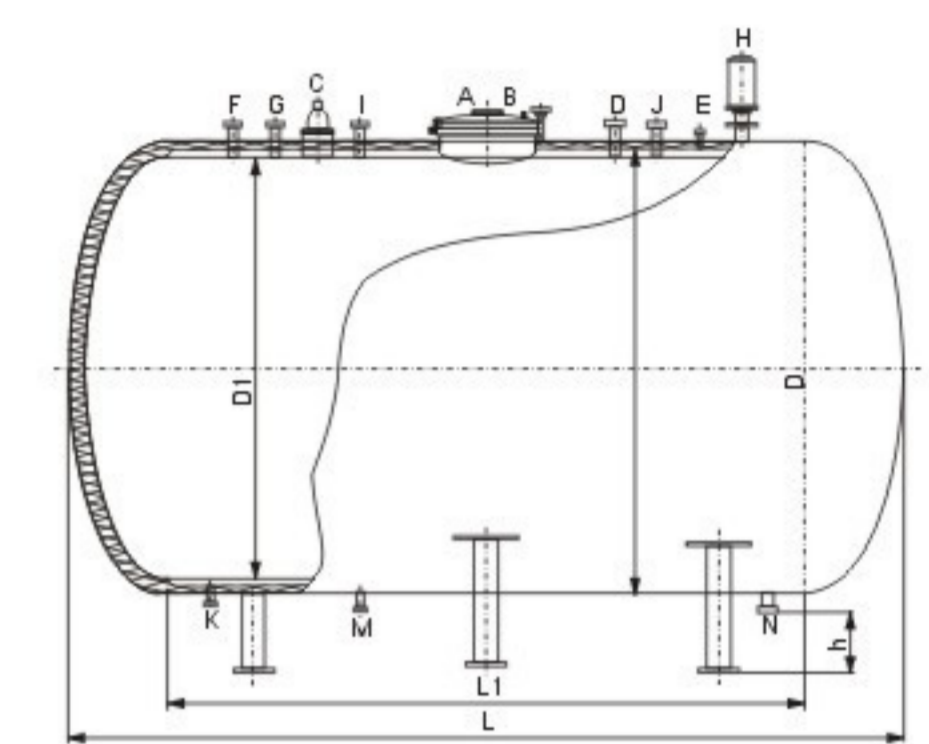
规格	型号	100L	200L	500L	1000L	2000L	5000L	10000L	20000L
直径 (mm)		400	500	700	900	1200	1500	1800	2300
高度 (mm)		2000	2300	2650	2900	3800	4480	5250	6550
罐内压力 (Mpa)		0.2	0.2	0.2	0.2	0.2	0.2	0.2	0.2
夹套压力 (Mpa)		0.3	0.3	0.3	0.3	0.3	0.3	管0.3	管0.3
搅拌桨数		2	2	2	2	2	3	3	4
搅拌转速 (r/min)		80							
电机功率 (Kw)		0.55	0.75	1.1	1.5	3	5.5	7.5	7.5
冷却方式		夹套				列管			

贮罐系列

Storage Tank



卧式贮罐 Horizontal storage tank



- ◆类型: 立式 卧式
蒸馏水贮罐严格遵循《药品生产质量管理规范》GMP总则(1998年修订版)第三十一、三十二条要求,根据GB150-98《钢制压力容器》、JB/T4735-97《钢制焊接常压容器》要求进行设计,制造验收。
- ◆容器保温材料采用耐高温、抗老化聚氨酯发泡或珍珠棉。
- ◆接口采用国际通用标准ISO快装卡盘式,内胆选用进口不锈钢SUS304(或SUS316L)制造,内表面镜面抛光至Ra≤0.28 μm,外表面抛亚光,镜面、喷砂或冷轧原色亚光,符合GMP医药标准。
- ◆管口设有 液位计口(静压式、电容式、无触点式、超声波式、玻璃管式)、空气呼吸器、温度计(数显式或表盘式)、CIP清洗口、SIP灭菌口、进出口及卫生人孔等。
- ◆容积有1000L-30000L等规格,也可根据客户实际需要进行设计、制造。
- ◆随机附送有关GMP验证资料(含材质报告、外购件合格证、验证表格等)。

- ◆Type: horizontal type or vertical type
The horizontal distilled water tank series strictly follow with the 31st and 32nd clauses of 'Medicine Production Quality Management Norm--GMP General Principles' (1998 Revised Edition), and is designed, manufactured and accepted according to the requirements of Gb150-98 'Steel Pressure Vessel' and JB/T4735-97 'Steel Welding Normal Vessel'.
- ◆Isolation material adopts high-temperature resistant rock wool or anti-aging PU foam.
- ◆ISO clamp, inner container adopts SUS316L or SUS304, internal surface polished to Ra≤0.28 μm, and external surface polishing, mirror polish, sand blasting or cold-rolled nature-color surface polishing. All is in accordance with GMP.
- ◆level gauge (static-pressure type, capacitance type, non-contact type, ultrasonic type and glass tube type), air respirator, thermometer (digital display type or dial plate type), CIP cleaning mouth, SIP sterilizing mouth, liquid entrance-exit gate and sanitary inlet.
- ◆Volume Specification: 100L-30000L or to be designed and manufactured at customers' actual request.
- ◆Relevant GMP testing data are attached (including material report, external components certificate of quality and verification form).



立式贮罐 Vertical storage tank

技术参数 Technology parameter

公称容积	工作压力(Mpa)	工作温度(°C)	L(mm)	L1(mm)	D(mm)	D1(mm)	H(mm)
1000L	0.25	100	1950	1500	1050	900	300
2000L	0.25	100	2300	1800	1400	1200	300
3000L	0.25	100	2600	2000	1600	1400	300
5000L	0.25	100	3250	2500	1800	1600	300
8000L	0.25	100	4300	3500	1900	1700	300
10000L	0.25	100	4700	3800	2100	1900	350
20000L	0.25	100	5650	4500	2600	2400	350
30000L	0.25	100	6250	4800	3000	2800	350

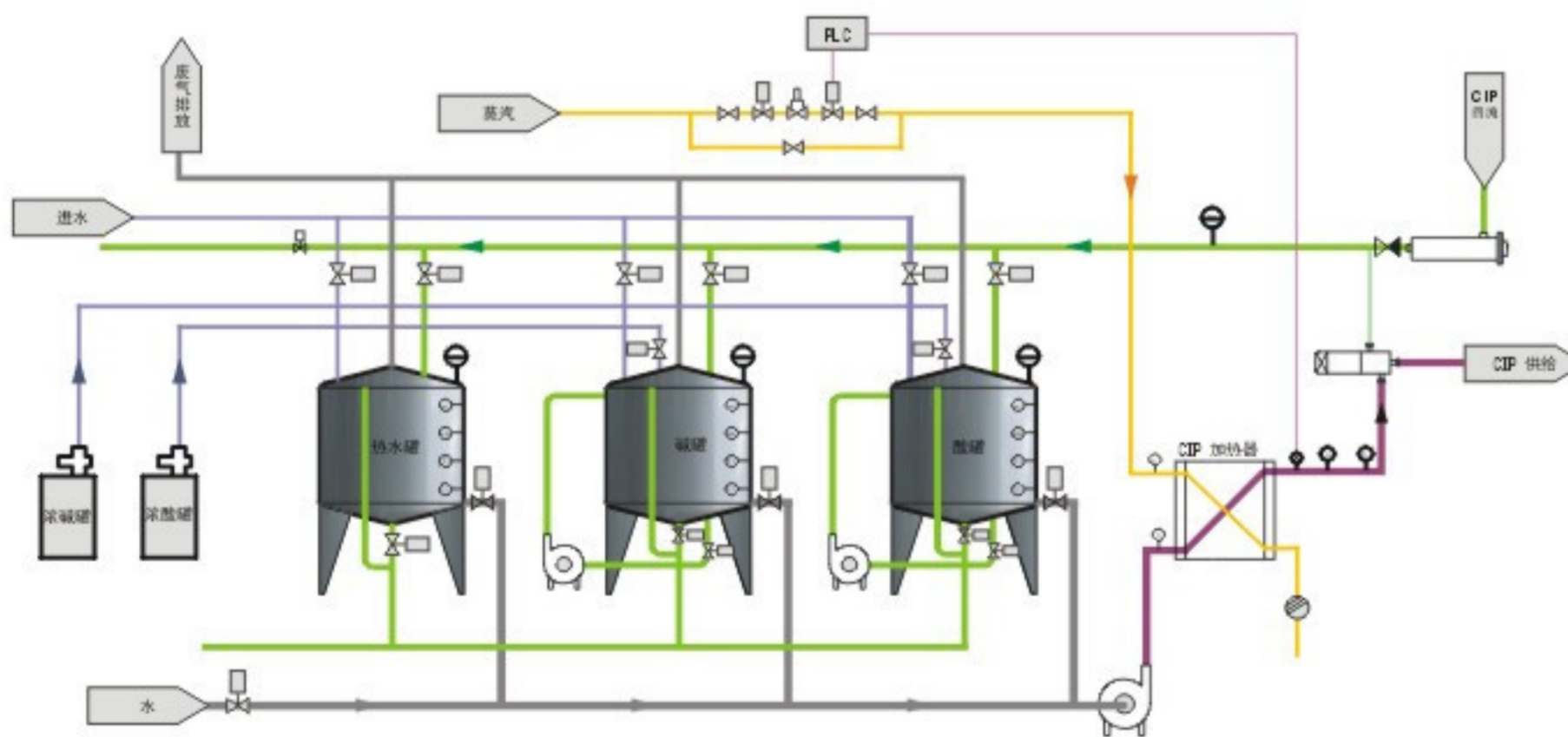
CIP清洗系列

Clean in place system



自动清洗系统

- ◆用途: 各种饮料, 乳品, 果汁, 啤酒, 生物制药等容器生产线设备和管道的就地清洗。
- ◆类型: 整体型 分体型
- ◆控制类型: 手动, 半自动, 自动
- ◆配置: 清水桶, 酸液桶, 碱液桶, 离心泵, 控制柜等
- ◆Application: Clean in place for the production line and pipe system in the industry area of dairy, fruit, beverage, beer, pharmaceutical
- ◆Type: integrate type, separate type
- ◆Control type: manual, semiautomatic, automatic
- ◆Fittings: water tank, acid tank, alkali tank, pump, control panel etc

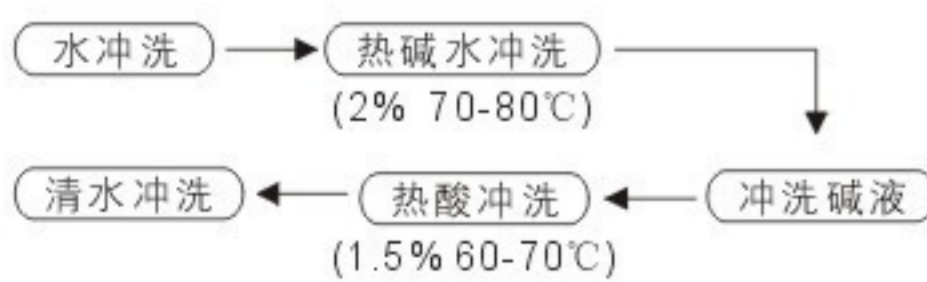


本机主要技术参数

加热方式: 蒸气
容积: 800Lx3
外型尺寸: 3500x1500x1700(mm)

This machine main technical parameter
Heat the way: Vapour
Volume: 800Lx3
Size of appearance: 3500x1500x1700(mm)

CIP清洗程序

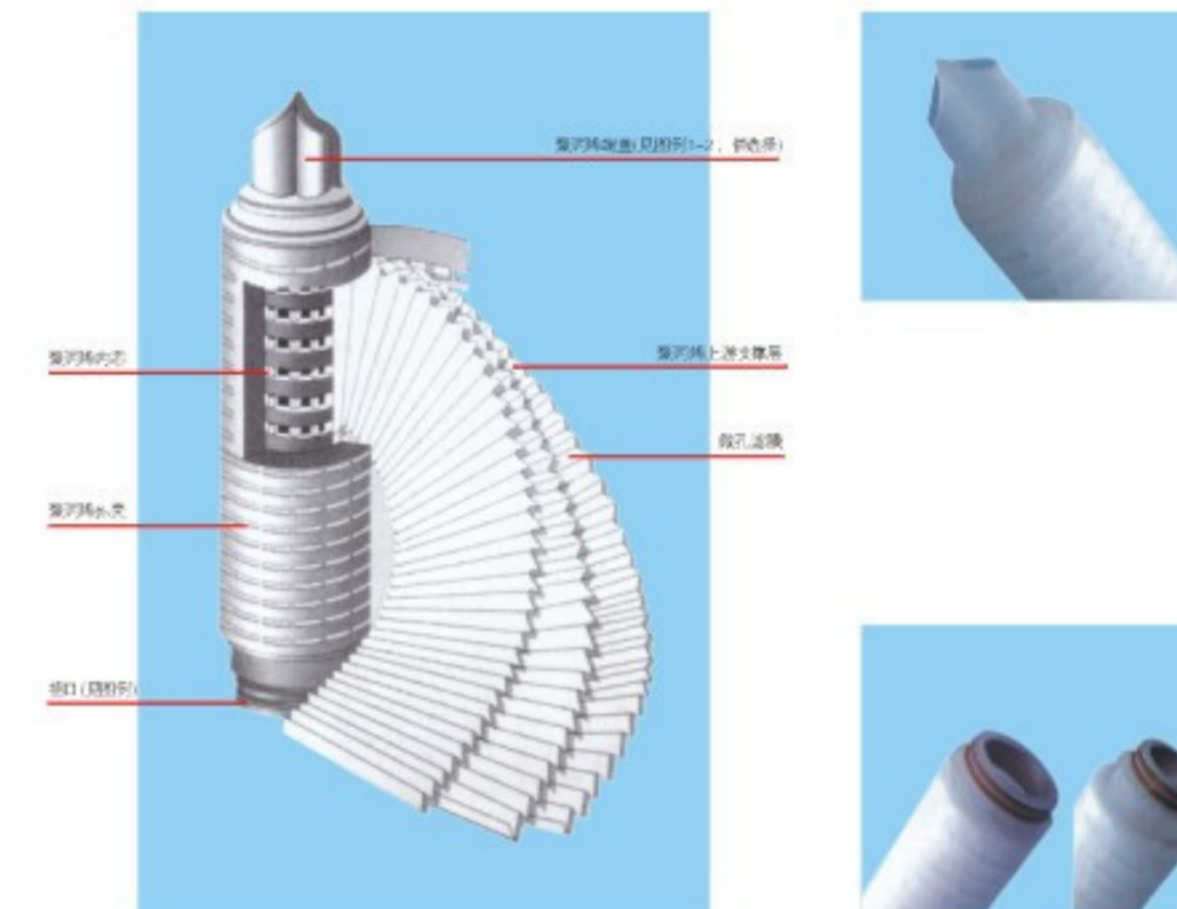


技术参数 Technology parameter

操作压力	a 罐内 常压	b 蒸汽管内: 0.3-0.7mpa
操作温度	a 酸碱罐内	b 清水罐内 c 蒸汽管内: 138°C
物料名称	a 酸碱液罐: 2%硝酸液, 2%苛性碱液	b 蒸汽管 水蒸汽
离心泵流量	10t/h	
离心泵最大扬程	35m	
电机功率	1.2kw.	
容积	a 酸碱液罐	b 水罐
外形尺寸(长x宽x高)	3.0x1.4x2.0m	

微孔膜筒式过滤器

Microporous membrane barrel filter



微孔膜筒式过滤器 Microporous membrane barrel filter

技术参数 Technology parameter

过滤精度(μm)	0.1-60
流量(T/h)	0.5-30
滤芯规格(英寸)	10、20、30、40
使用压力(Mpa)	0.1-0.6
使用温度(°C)	85-143

BL系列不锈钢板框过滤机 BL Plate-frame type filter



- ◆材料: 不锈钢SUS304或SUS316L
- ◆用途: 酒类, 饮料, 果汁, 醋类, 制药, 化工产品等
- ◆过滤精度: 0.2 μm, 0.3 μm, 0.45 μm, 0.8 μm, 1 μm, 2 μm
- ◆Material: SUS304 or SUS316L
- ◆Application: Winery and brewery, beverage, juice, vinegar, pharmaceutical, chemistry, etc
- ◆Filter accuracy: 0.2 μm, 0.3 μm, 0.45 μm, 0.8 μm, 1 μm, 2 μm

- ◆材料: 不锈钢SUS304或SUS316L
- ◆用途: 酒类, 饮料, 果汁, 醋类, 制药, 化工产品等
- ◆滤筒: 1、3、5、7、9、11、13、15
- ◆滤芯: 10英寸、20英寸、30英寸、40英寸
- ◆滤芯材质: 聚四氟乙烯、聚砜、尼龙、聚丙烯、醋酸纤维。
- ◆过滤孔径: 0.1 μm, 0.22 μm, 0.45 μm, 1 μm, 3 μm, 5 μm, 10 μm,

- ◆Material: SUS304 or SUS316L
- ◆Application: Winery and brewery, beverage, juice, vinegar, pharmaceutical, chemistry, etc
- ◆filter cartridge Qty: 1pcs, 3pcs, 5pcs, 7pcs, 9pcs, 11pcs, 13pcs, 15pcs
- ◆size: 10", 20", 30", 40"
- ◆Cartridge material: EPDM, PP, nylon, etc
- ◆Accuracy: 0.1 μm, 0.22 μm, 0.45 μm, 1 μm, 3 μm, 5 μm, 10 μm,

技术参数 Technology parameter

规格 型号	BL-150	BL-200	BL-300	BL-400
滤板直径(mm)	150	200	300	400
层数	10	10	10	10
流量	1.5T/h	3T/h	5T/h	8T/h
功率(Kw)	0.75	1.1	1.5	2.2
设备重量(Kg)	156	175	226	257
外型尺寸(mm)	长	600	650	700
	宽	500	500	600
	高	800	900	1050

卫生级离心泵

Food grade Centrifugal pump



BOSP-F型

- ◆泵头材料: SUS304 或 SUS316L
- ◆用途: 食品、乳制品、果汁饮料、医药化工及生物工程等
- ◆类型: 移动式, 固定式,
- ◆叶轮: 封闭式, 开式
- ◆马达类型: 可选
- ◆机械密封特殊设计不于物料接触
- ◆泵体排污卫生处理, 无死角
- ◆最大扬程: 合理范围内可选

- ◆Pump head material: SUS304 or SUS316L
- ◆Application: For dairy, food, Juice, pharmaceutical and biochemistry industry delivery.
- ◆type : Portable or Fixed
- ◆impeller: Close type of open type
- ◆Motor: Option (Chinese type or European type)
- ◆Mechanical seal are not connect with material
- ◆pump heat drainage hygiene design ,no dead angle
- ◆Max lift: Option in the reasonable range

技术参数 Technology parameter

规格	流量(T/H)	扬程(M)	功率(KW)	转速(r/min)	电压(V)	进口(mm)	出口(mm)
LH1-75	1	5	0.37	2800	380	25.4	25.4
LH3-110	1.5	8	0.55	2800	380	38.1	25.4
LH3-120	3	15	0.75	2800	380	38.1	25.4
LH5-140	5	24	1.5	2800	380	50.8	32
LH10-150	10	24	2.2	2800	380	50.8	38.1
LH15-160	15	35	3	2800	380	63.5	38.1
LH20-165	20	40	4	2800	380	76.3	38.1
LH30-180	30	25	5.5	2800	380	76.3	50.8
LH50-200	50	40	7.5	2800	380	89	50.8

卫生级转子泵

Food grade lobe rotor pump



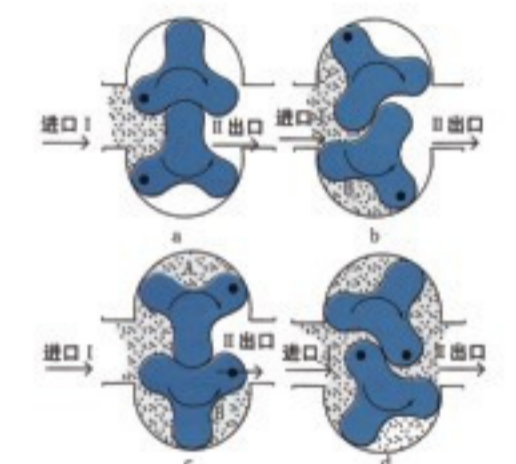
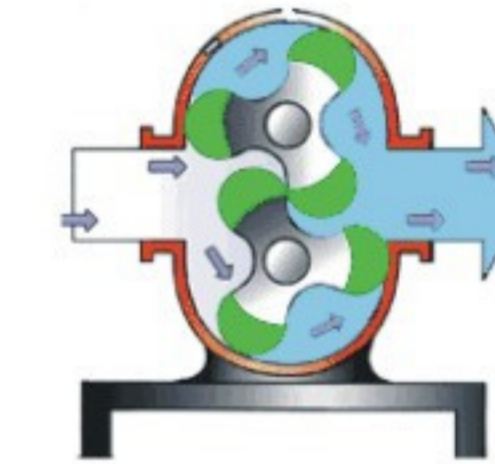
单叶式
Unifoliate



二叶式
Bifoliate



三片式
Trifoliate



- ◆流量: 500~ 14000
- ◆泵头材料: SUS304 或 SUS316L
- ◆用途: 食品、乳制品、果汁饮料、医药化工,化妆品, 发膏, 芳香油及生物工程等
- ◆类型: (移动式, 固定式)
- ◆泵头: 水平方向输送 或 垂直方向输送
- ◆马达类型: (可选) 变速 变频 固定速度
- ◆配置: 机械密封, O形圈
- ◆转子: 单叶式 二叶式 三片式
- ◆物料温度: -30°C~ 150°C
- ◆其他因数: 物料粘度

- ◆Capacity: 500L/h ~14,000 L/h
- ◆Pump head material: SUS304 or SUS316L
- ◆Application: For dairy, food, Juice, pharmaceutical, cosmetics, detergents, hair gel, aromatic oils and biochemistry industry delivery.
- ◆type : (Portable or Fixed)
- ◆pump head: Horizontal or vertical delivery
- ◆Motor: Option (Chinese or European type) Variable speed, variable frequency, fixed speed gear
- ◆configure: Mechanical seal, O ring
- ◆rotor: unifoliate, bifoliate, trifoliate
- ◆material temp range: -30°C~ 150°C
- ◆other element: Processing liquid viscosity

技术参数 Technology parameter

序号	型号	每转排量(L)	建议调速范围(rpm)	对应流量(L/h)	电机功率(Kw)	进出口管径(mm)
1	TR(A)-I-1	0.055	200-400	660-1320	0.55	25
2	TR(A)-I-2	0.075	200-400	900-1800	0.75	32
3	TR(A)-I-3	0.095	200-400	1140-2280	1.1	32
4	TR(A)-I-4	0.118	200-400	1400-2800	1.5	38
5	TR(A)-I-5	0.18	200-400	2000-4000	2.2	38
6	TR(A)-I-6	0.28	200-400	3000-6000	3	50
7	TR(A)-I-7	0.34	200-400	3600-7200	4	50
8	TR(A)-I-8	0.424	200-400	4500-9000	5.5	50
9	TR(A)-I-9	0.53	200-400	5700-11000	7.5	63.5
10	TR(A)-I-10	0.657	200-400	7000-14000	7.5	63.5

单机系列

Bar disinfect the complete sets



钛棒过滤器
Titanium Filter



可倾式夹层锅
Bendable interlayer pan series



板式换热器
Plate Heat-exchanger



双桶过滤器
Double-barrel Filter



列管式浓缩器
Pipe Concentrator



盘管式真空浓缩锅
Tubular vacuum concentration pot

卫生级不锈钢罐上系统配置

Sanitary stainless tank system configuration



机械密封
Mechanical seal



无菌呼吸器
Asepsis air vent



空气呼吸器
Air vent



360° 自动旋转清洗球
Cleaning ball



卡箍式温度计
Clamp thermometer



称重模块
Weighing module



进口减速机
Reducer



进口数显温度计
Digital display thermometer



一体化视镜
Integrated view glass



数显液位计
Digital display level gauge



卫生人孔
Manway



卫生止回阀
Sanitary Check Valve



卫生级不锈钢视镜
Pipe View glass



温度变速器
Temperature transmitter



隔膜式压力表
Dissepiments meter



搅拌器系列
Propeller

卫生级管道配件

Sanitary pipe accessories

华远人深知管件、阀门与卫生洁净设备的密切相关，对确保整套工艺设备的卫生要求的重要性，所以，加工的每一个配件都精工细做，材料均采用不锈钢 SUS304、SUS316L制成，内表面镜面抛光处理，光洁度 $Ra \leq 0.28 \mu m$ ，外表面处理采取机械抛光、磨砂、亚光等多种形式，采用ISO、DIN、IDF、SMS、RJT等国际技术标准，系列化产品能符合GMP医药标准。



The pipe and valve are highly effect the hygeine demand of the equipments, which are one of the most important demand of the equipments.so we make each detail of the fittings, material are strictly following SUS304 SUS316L , polished $Ra \leq 0.28 \mu m$, outside finished as matt polish, we have fitting in different standard: ISO, DIN, IDF, SMS, RJT etc, GMP standard.

